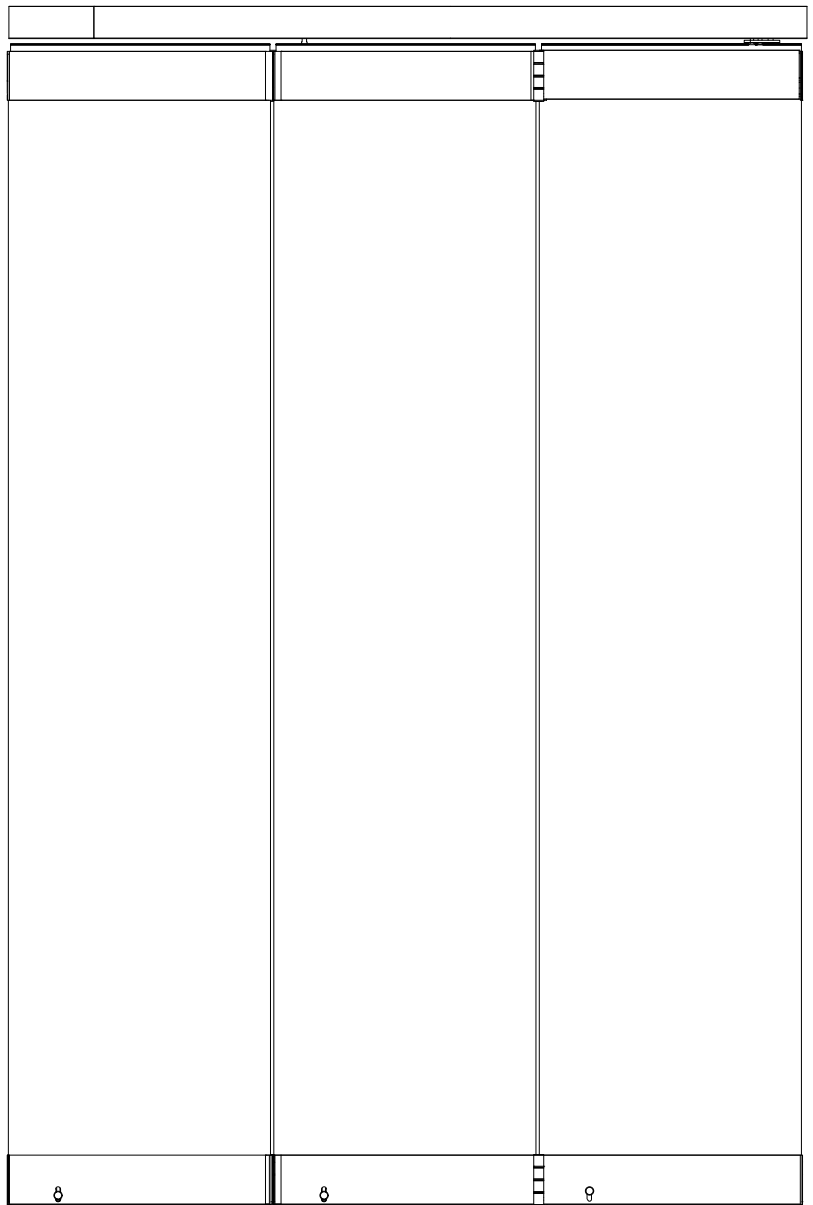
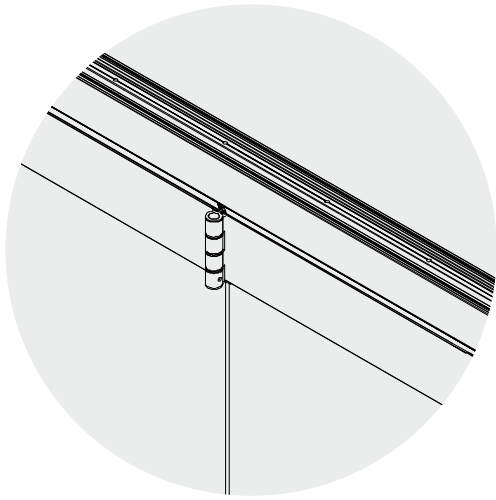
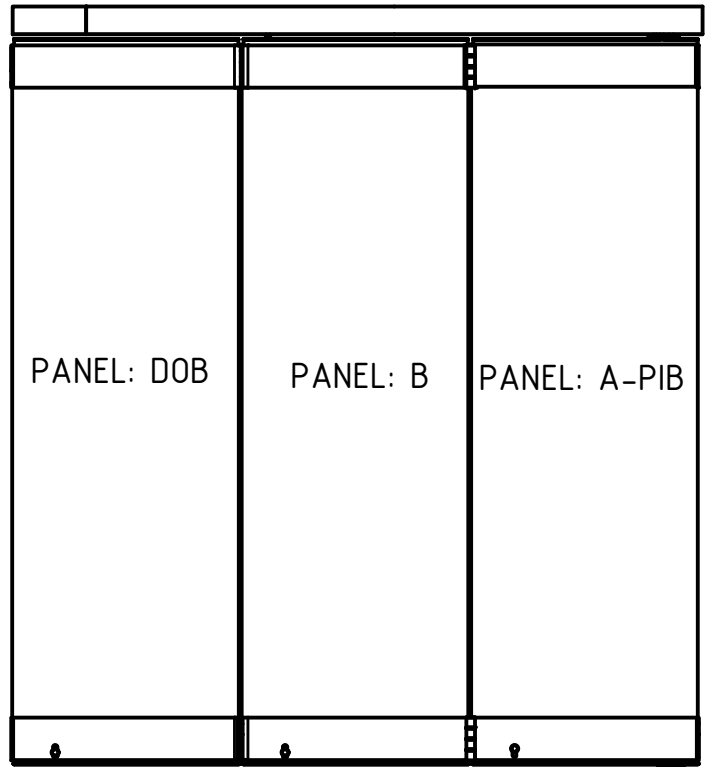
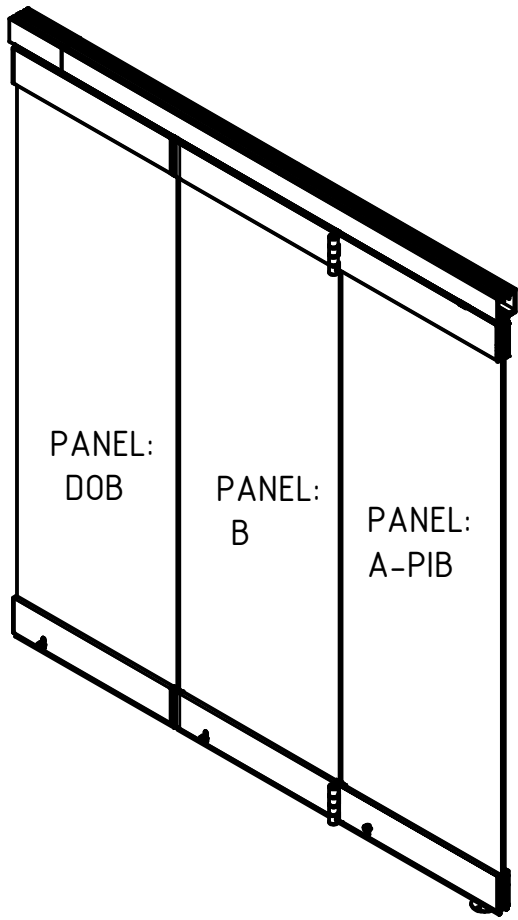


Σύστημα FW72 Οδηγίες Τοποθέτησης

System FW72 Installation Instructions





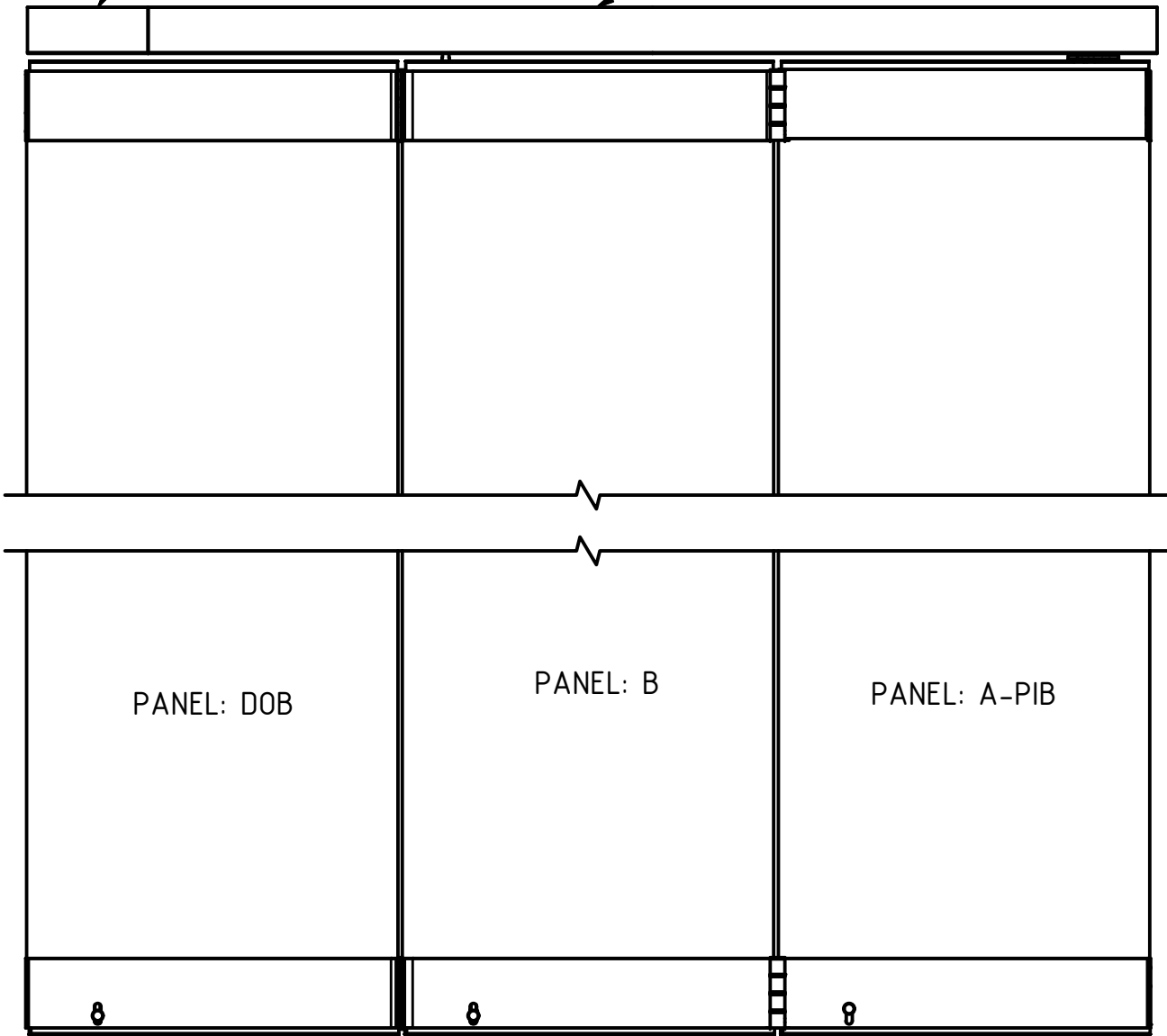
View from inside

GENERAL VIEW OF THE FW-72 SYSTEM

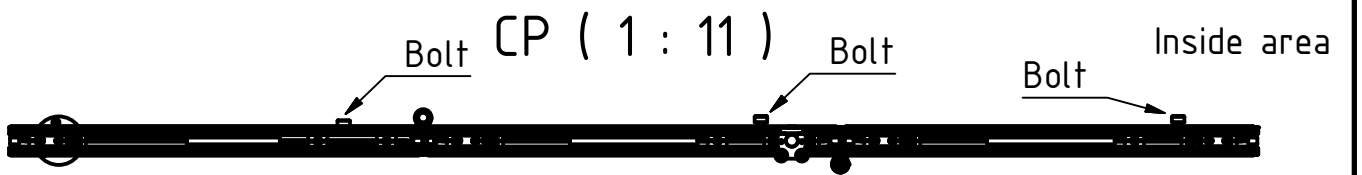
GENERAL VIEW OF THE FW-72 SYSTEM

Alum. guide profile
(small piece)

Alum. guide profile (big piece)



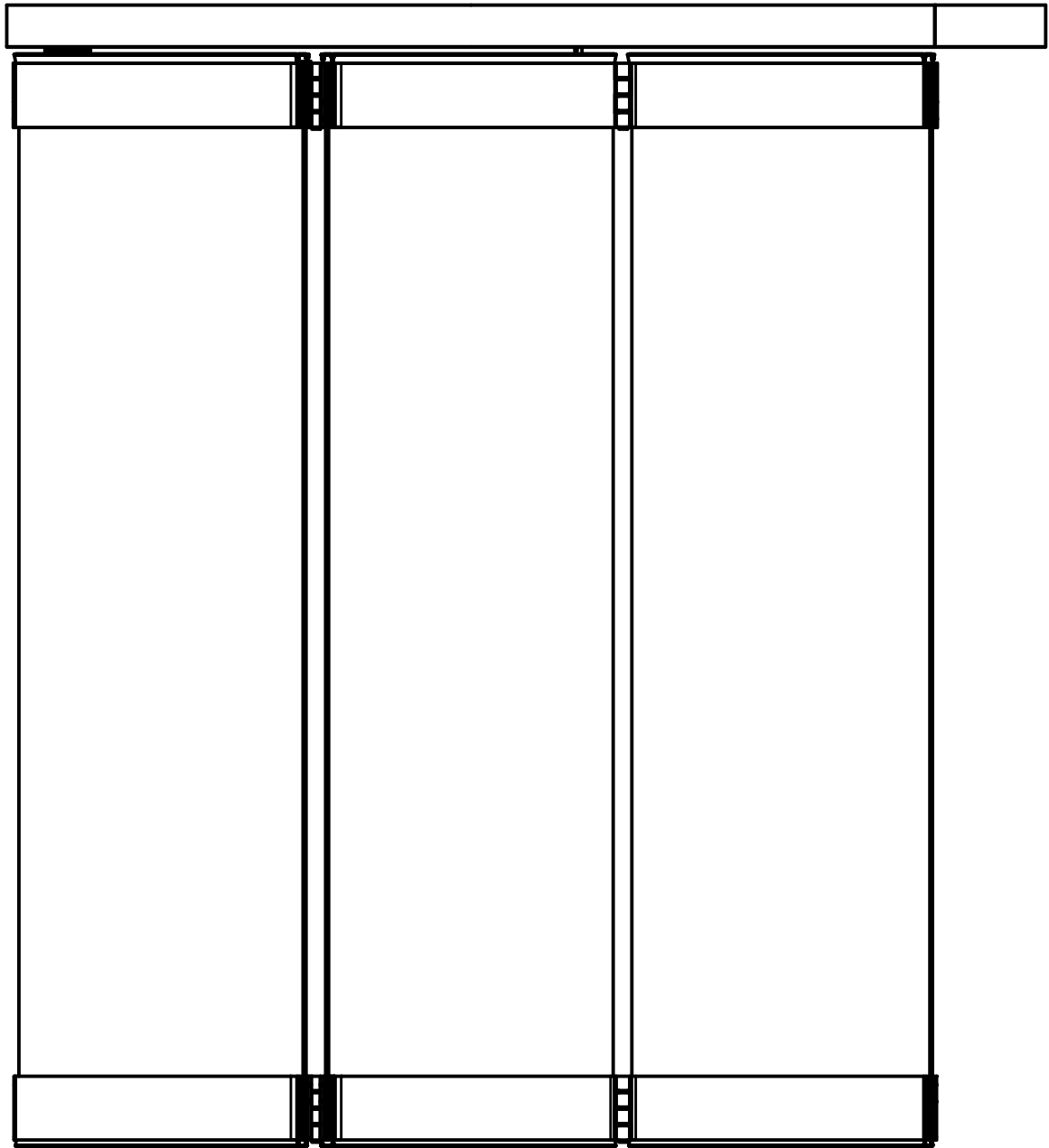
View from inside



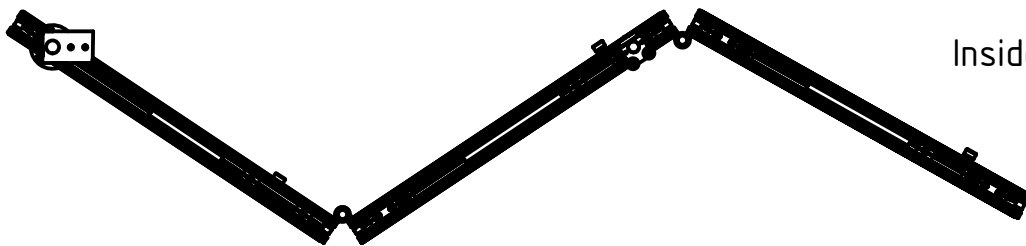
View from above (without the upper guide profile)

Outside area

GENERAL VIEW OF THE FW-72 SYSTEM



View from outside

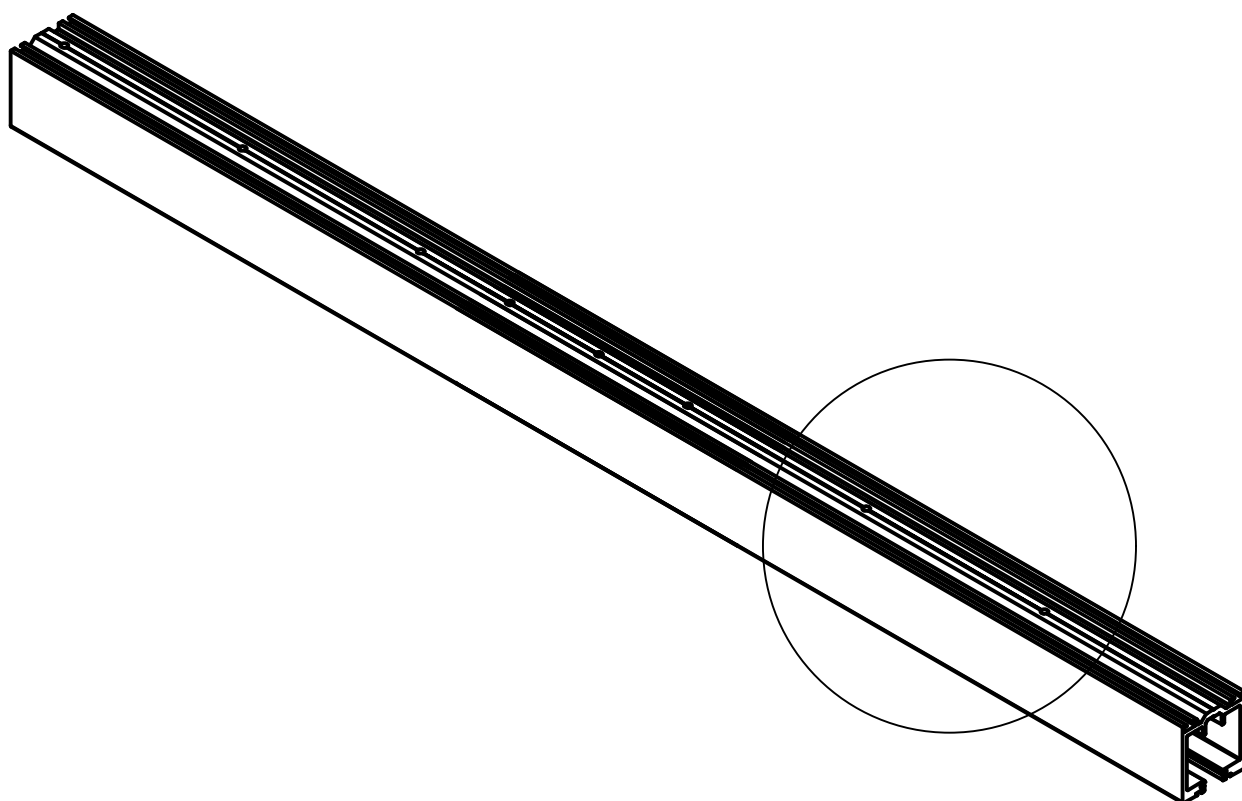
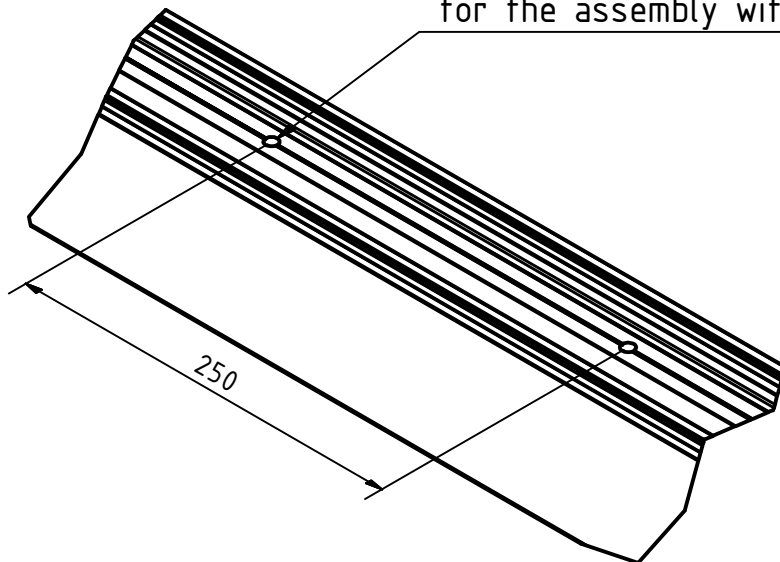


View from above (without the upper guide profile)

Inside area

Outside area

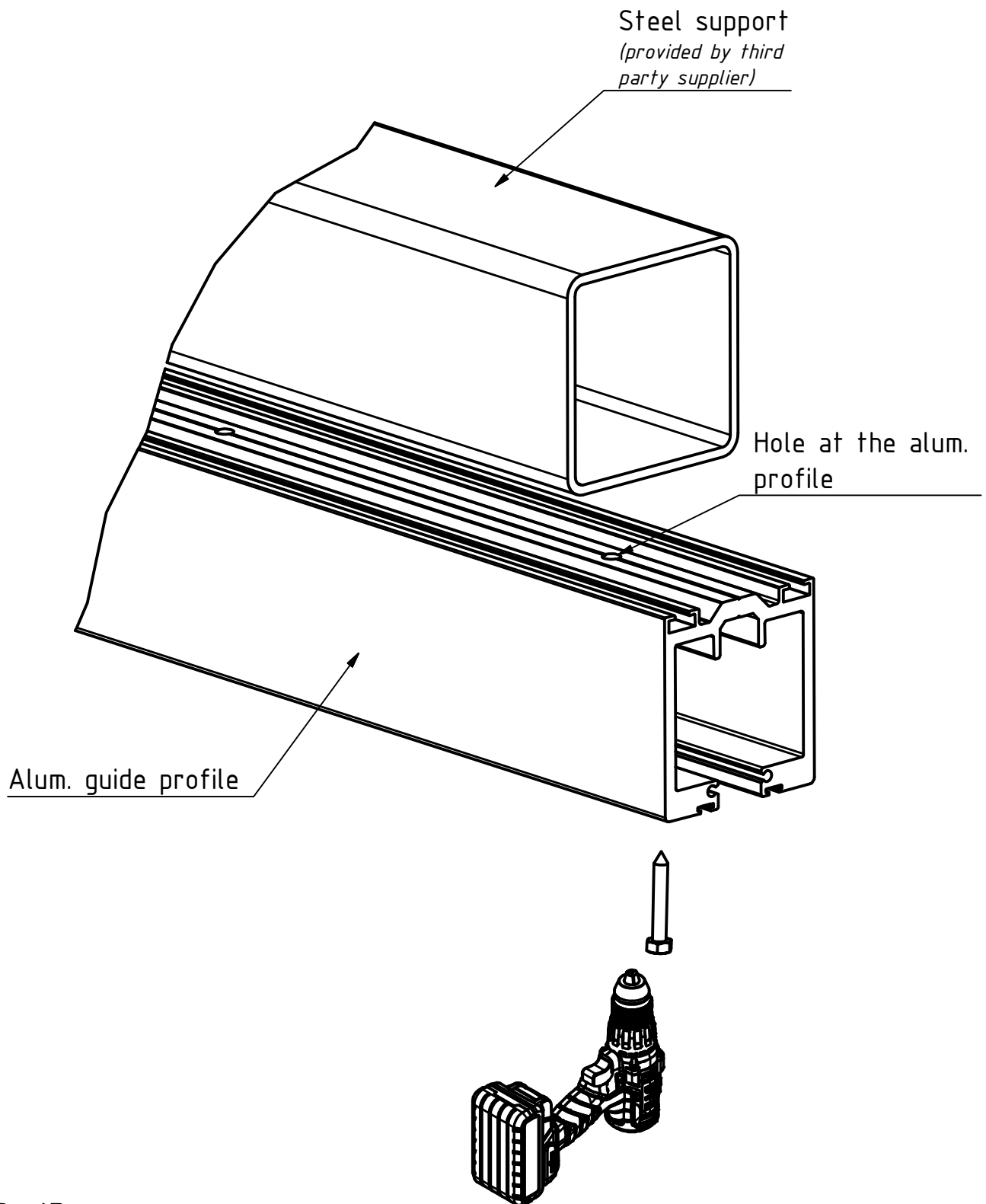
The aluminum guide profile has already holes every 250mm for the assembly with the steel support.



STEP-1: Upper guide profile installation.

Start from the upperguide profile.

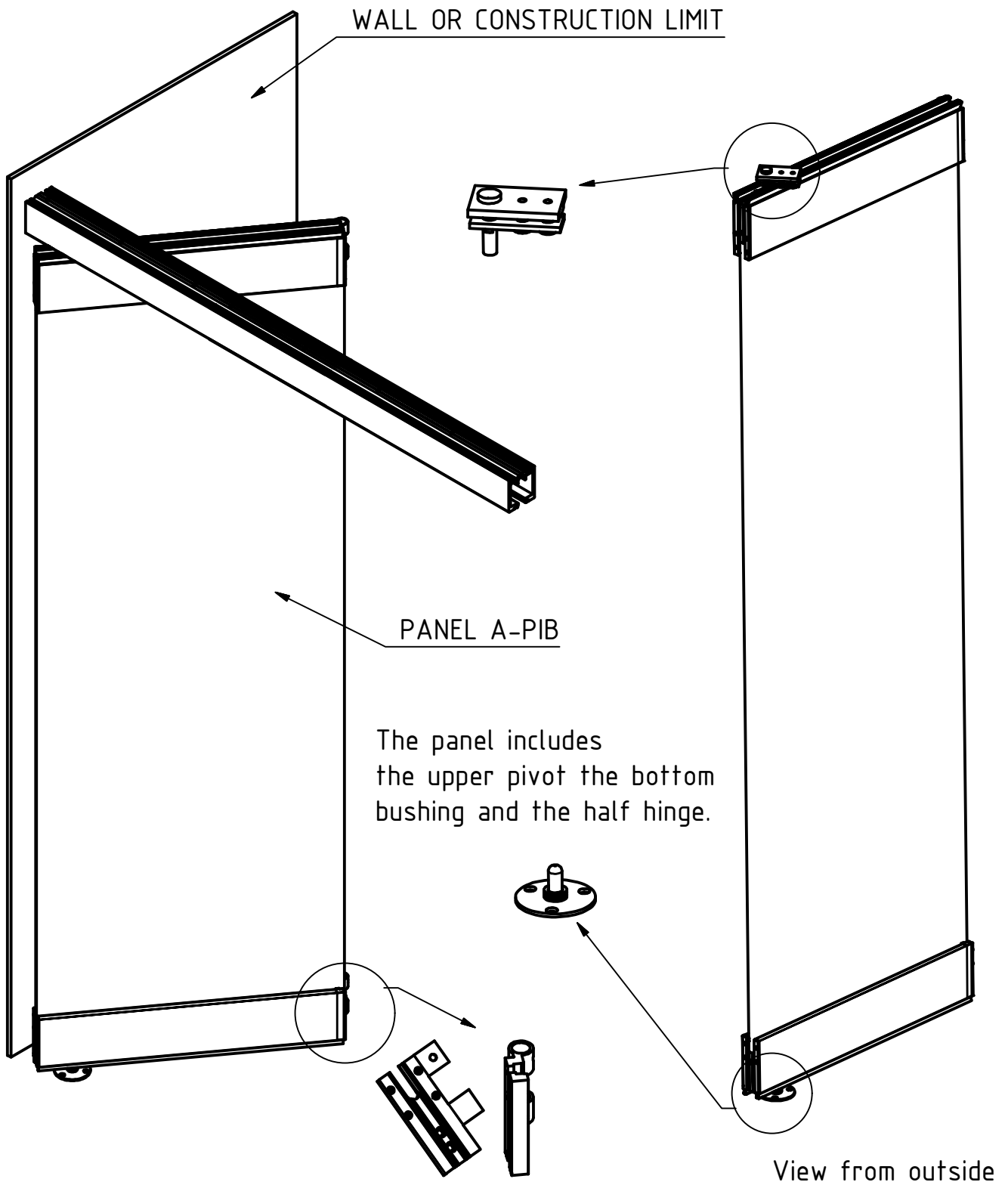
Assembly the alum. guide profile at the steel support.



STEP-1B:

Install the alum. guide at the steel support by using the hexagon self tapping screws provided.

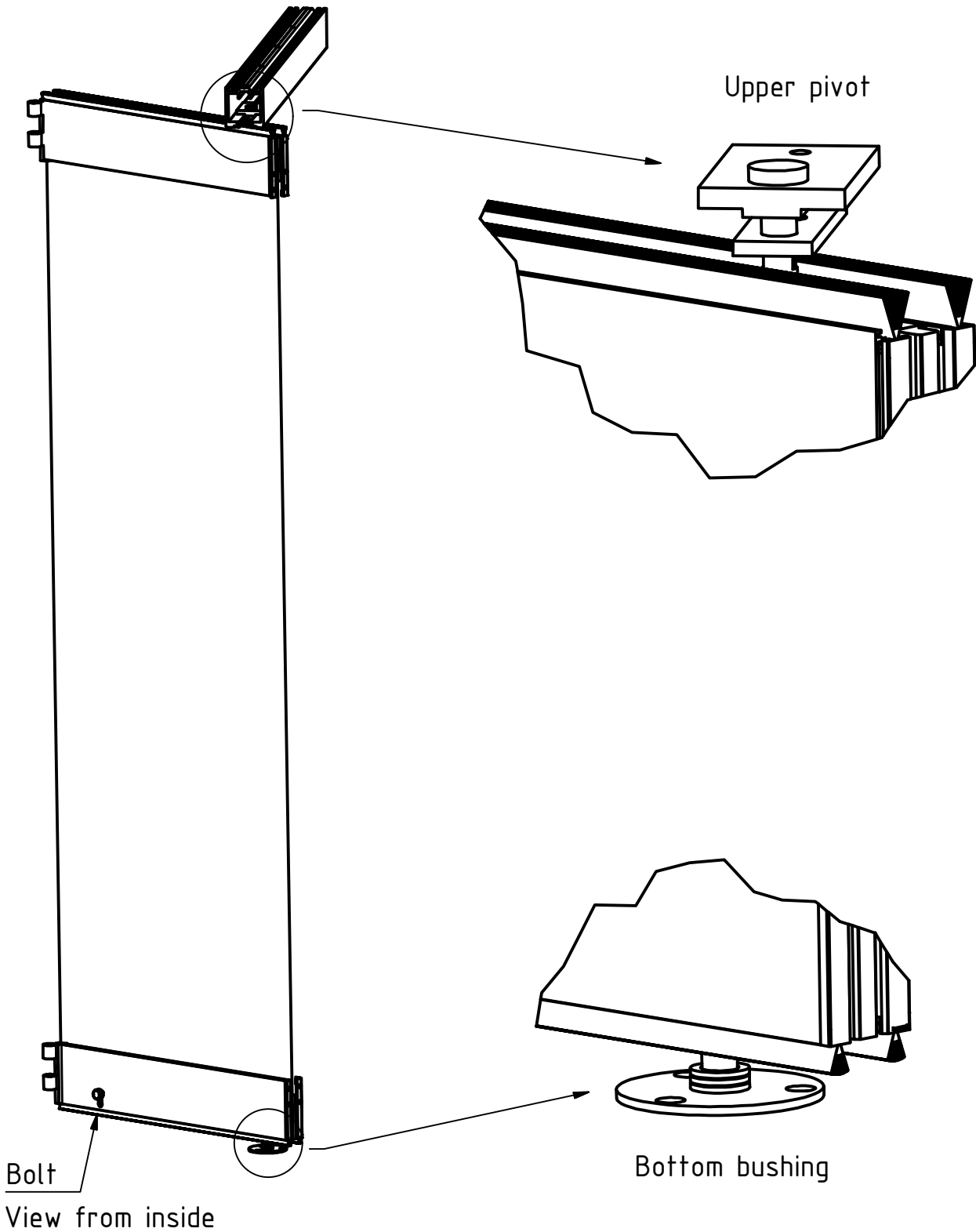
Do not install the small guide profile with 200mm length.



STEP-2: Panel A-PIB installation

Place **FIRST** the A-PIB panel into the alum. guide profile.

The panel includes the upper pivot and the floor bushing and the half of the hinges at the edge.

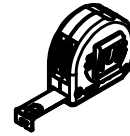


STEP-2B:

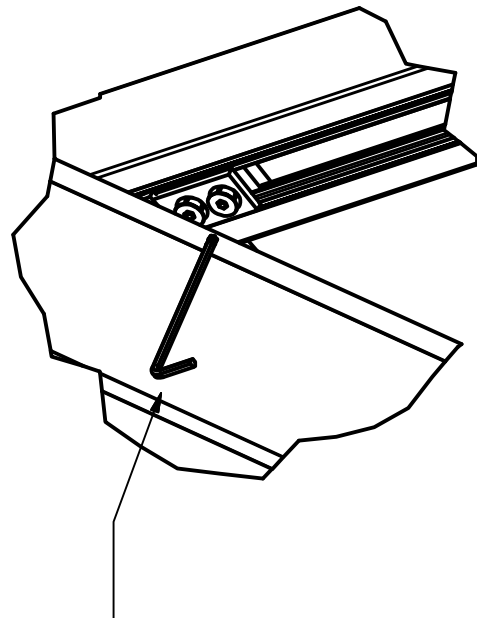
Panel includes the upper pivot and the bottom bushing.

WALL OR CONSTRUCTION LIMIT

DISTANCE FROM THE EDGE (ACCORDING TO THE CONSTRUCTION DRAWINGS) - 82mm

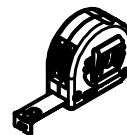


Assembly the upper bracket to the indicated from the construction instructions position (distance from the edge).



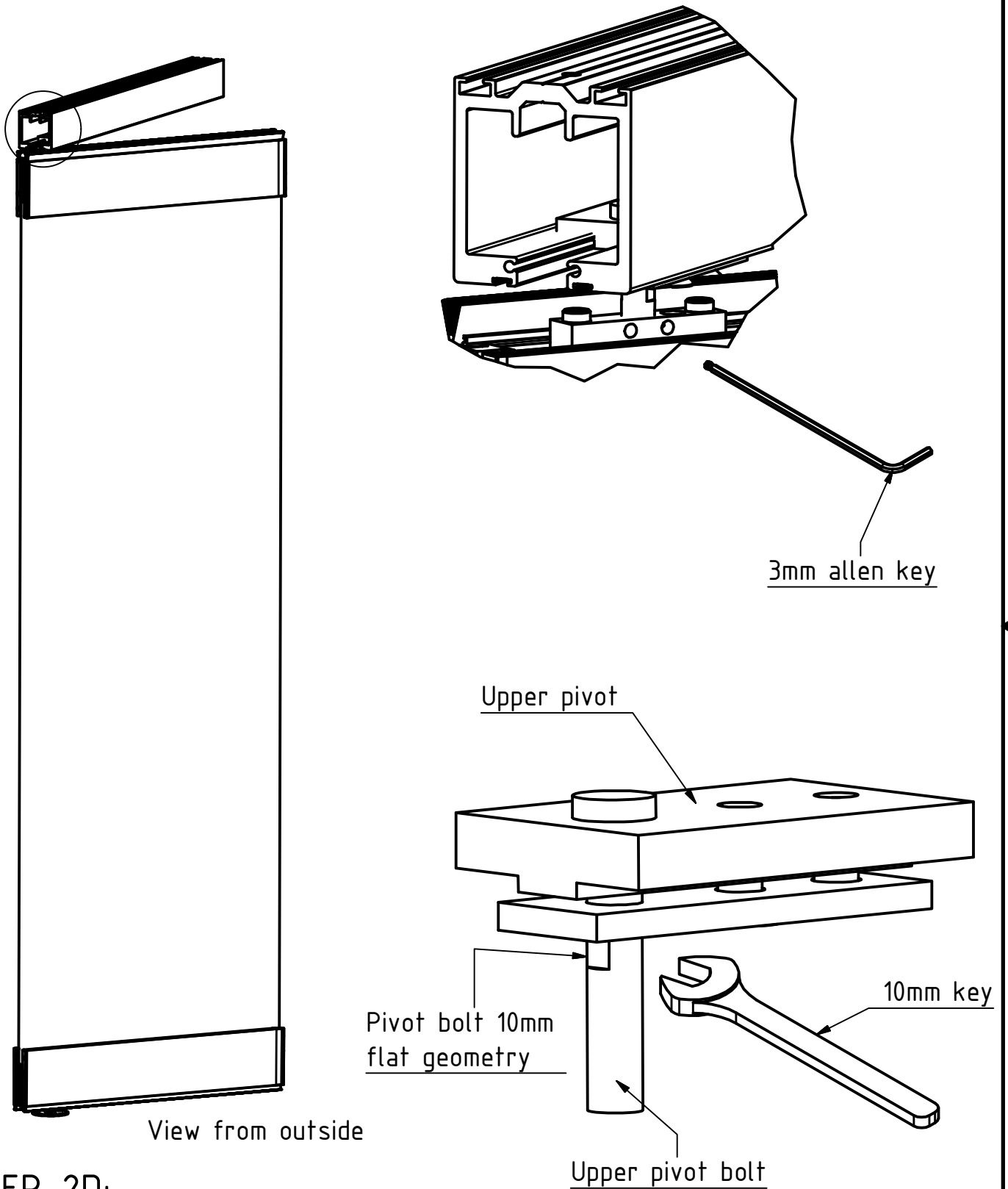
Use a 5mm allen key in order to assembly the upper pivot at the desired position into the guide profile.

DISTANCE FROM THE EDGE (ACCORDING TO THE CONSTRUCTION DRAWINGS) - 82mm



STEP-2C:

Place FIRST the A-PIB panel into the guide profile.
 Assembly the upper pivot to the indicated distance.

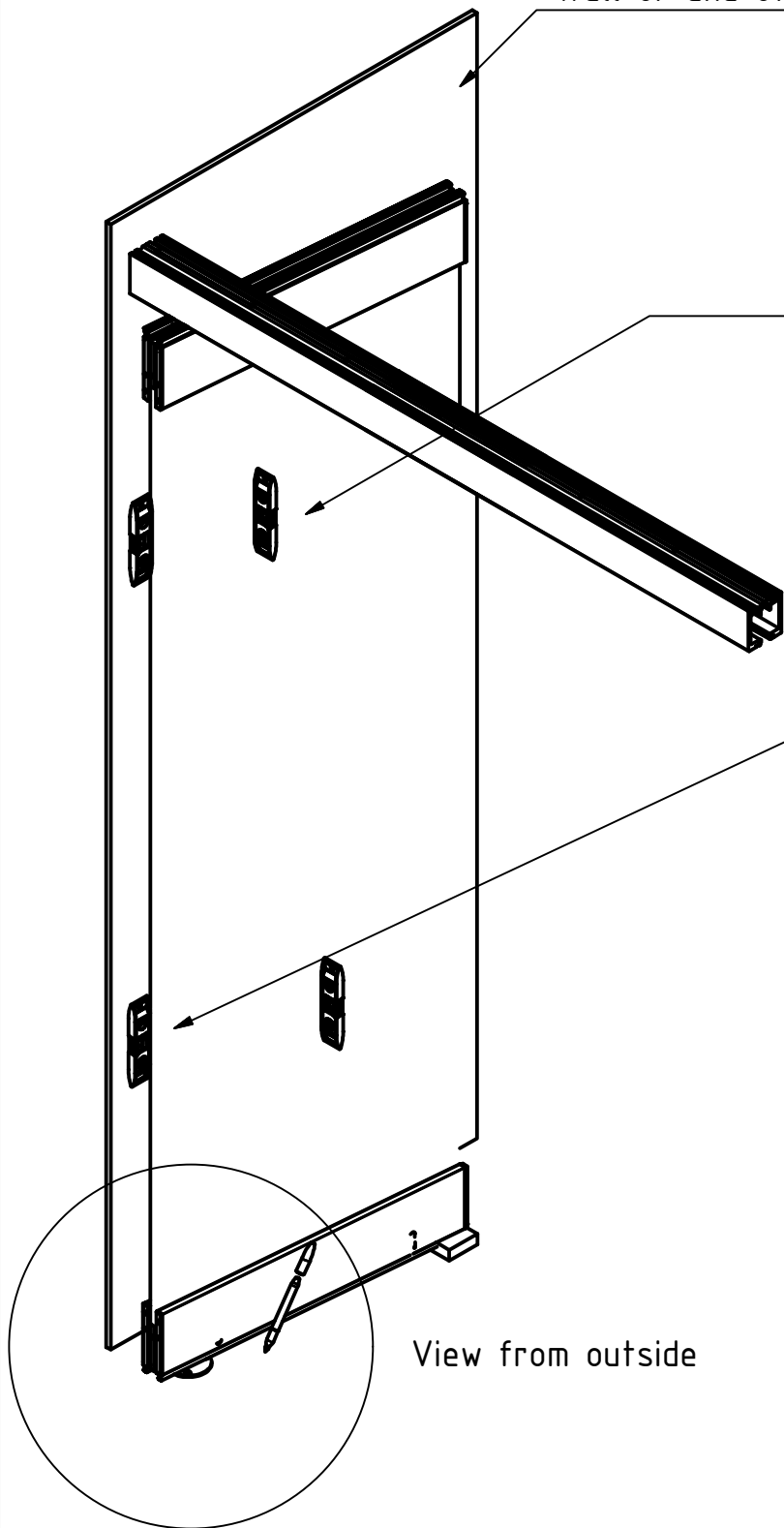


STEP-2D:

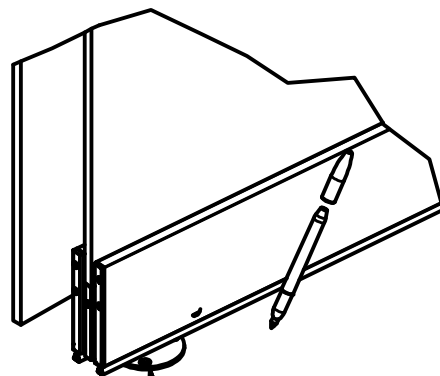
Adjust the height of the panel A-PIB by using a 10mm key at the upper pivot bolt. Place the key at the pivot bolt flat geometry and rotate the key clockwise or counterclockwise. The panel will move up or down accordingly. After finishing the height adjustment then screw the M6 set screw by using a 3mm allen key.

Wall or end of the construction

Check the leveling of the panel.
Check the leveling at the two directions of the panel.



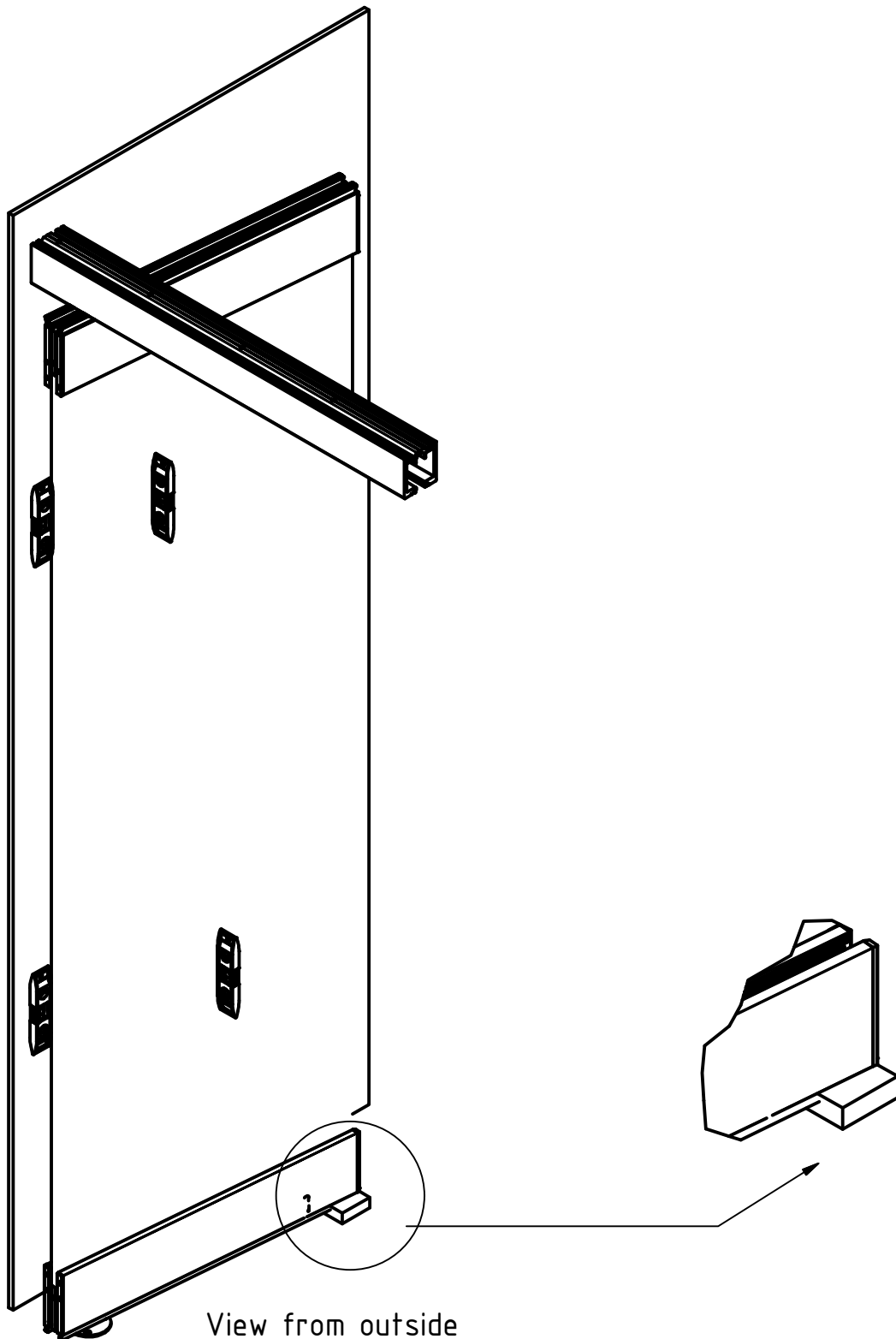
View from outside



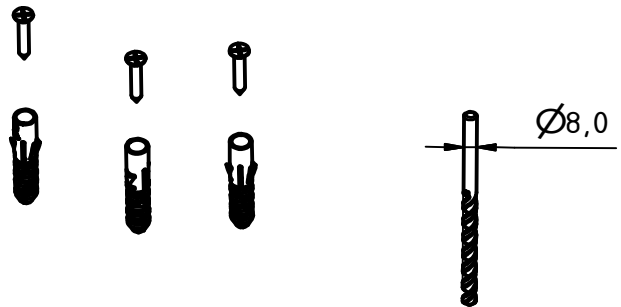
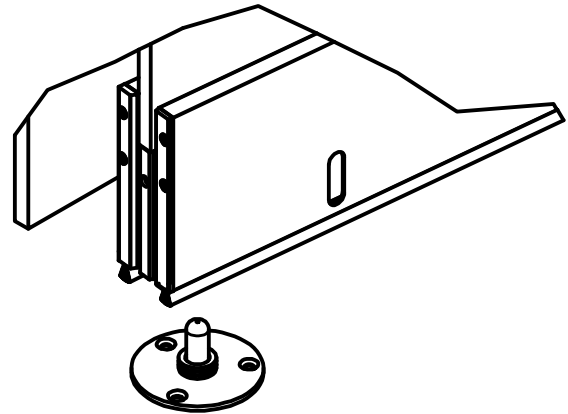
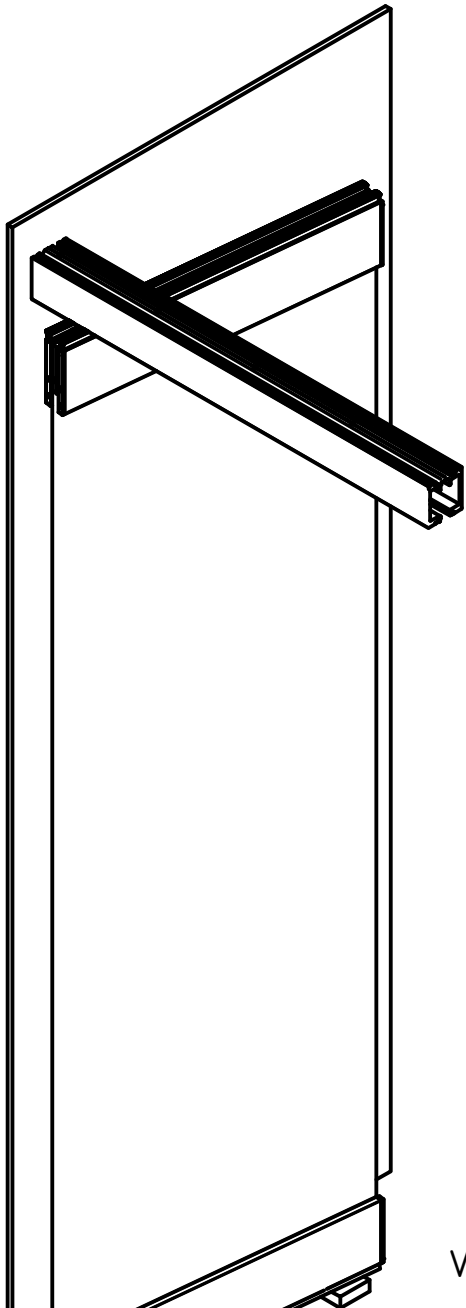
Mark the position of the three (3) holes of the floor bushing

STEP-2F:

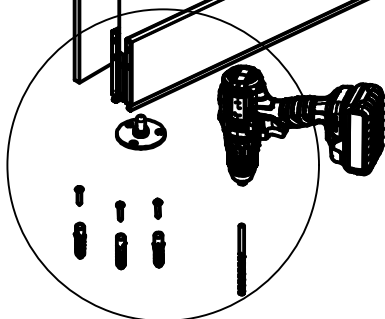
Check the leveling of the panel and mark the position of the holes of the floor bushing.

**STEP-2G:**

Place FIRST the A-PIB panel (DOOR) into the parking profile.
Fix the position of the panel by using also one (1) spacer (~10mm)
between the panel and the ground floor so that the panel will
not move and will not touch the ground.



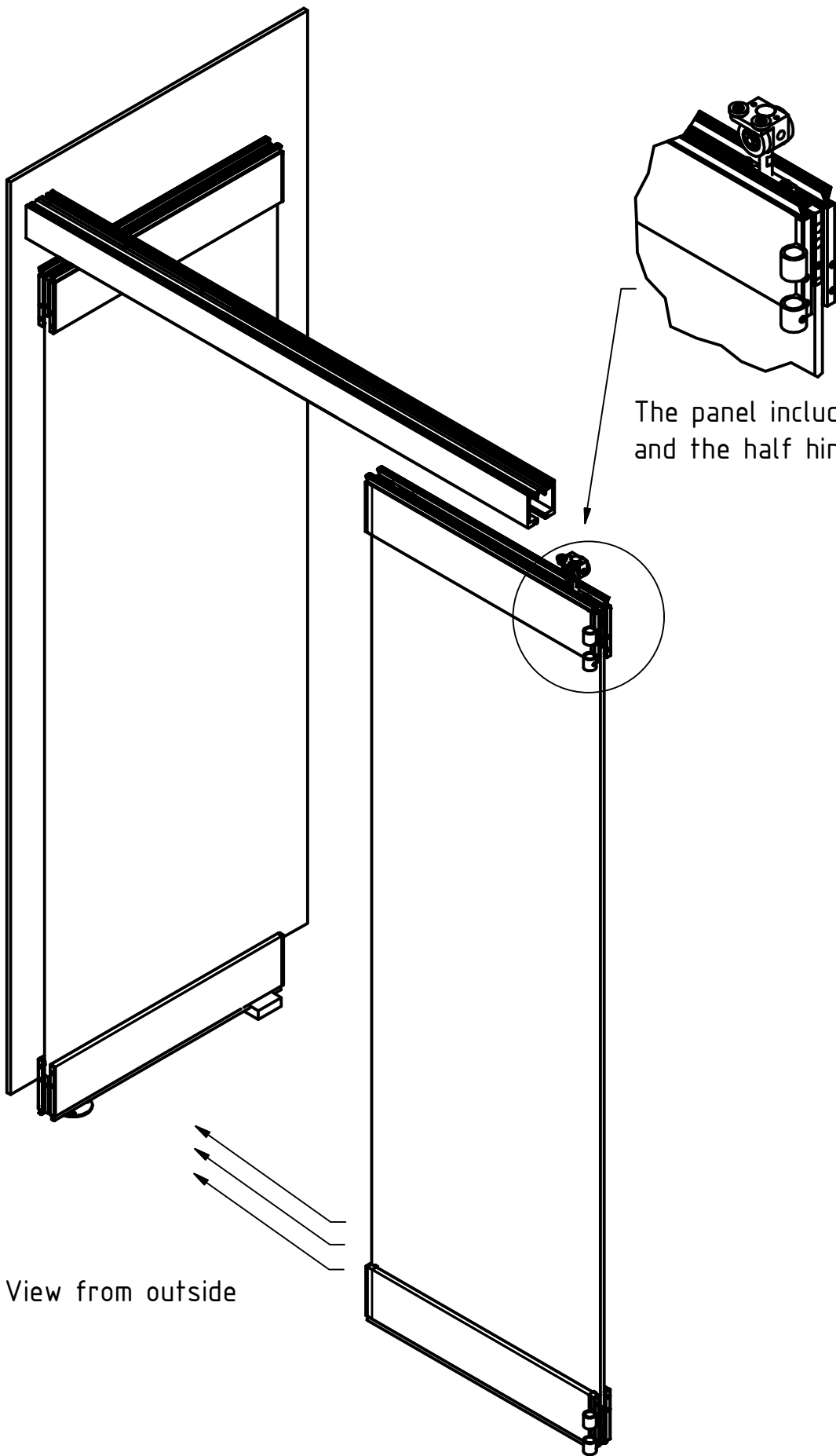
View from outside



REMOVE THE FLOOR BUSHING.

Then use a 8.0 drill in order to drill the three (3) holes at the ground for the assembly of the bottom bushing. The bottom bushing should be fixed at the indicated position from the construction study. Place the plastic plugs into the holes. Place the floor bushing and then fasten the three countersunk screws of the bushing.

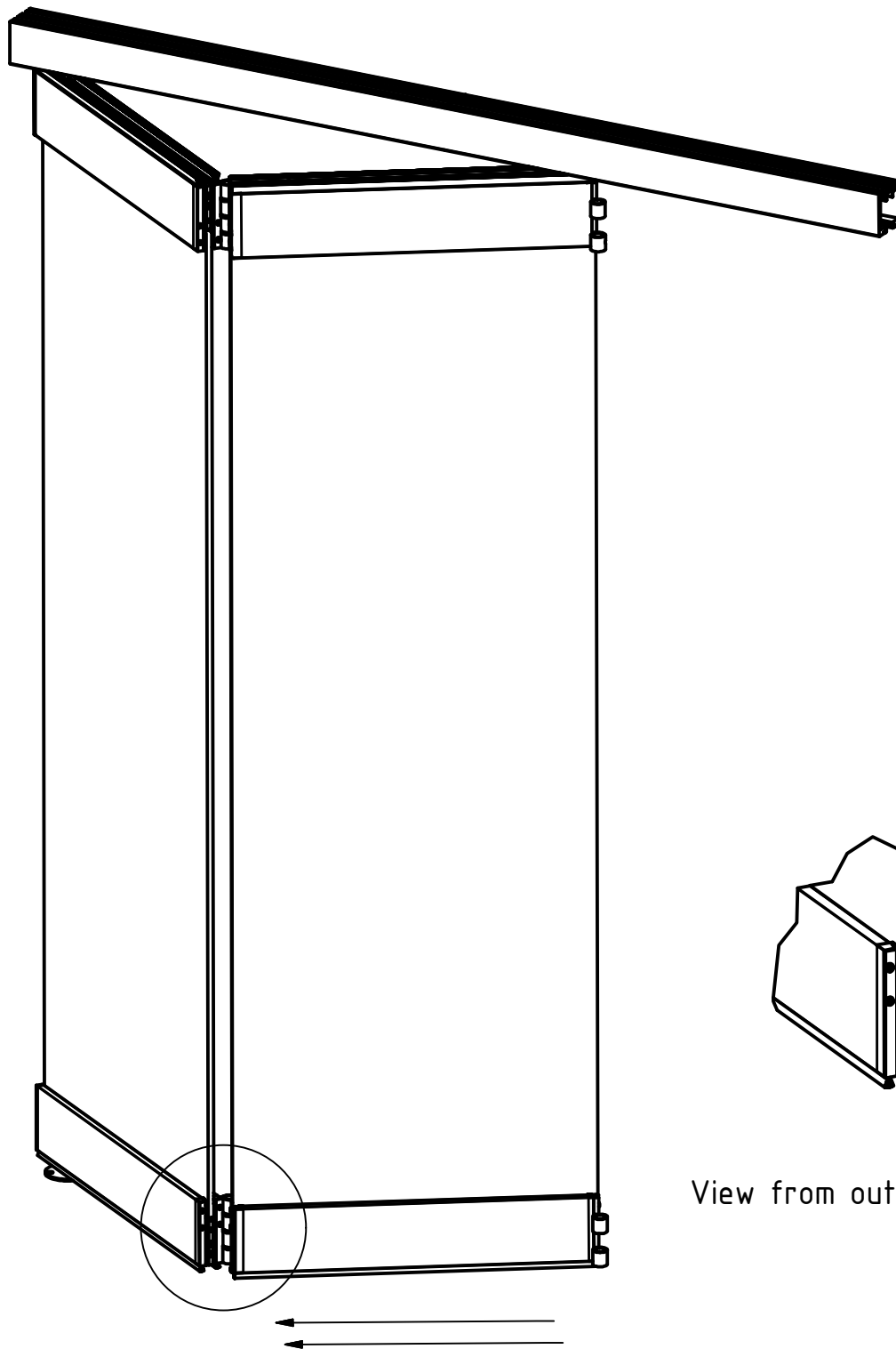
STEP-2H:
Assembly the floor bushing.



The panel includes the roller and the half hinge at both edges.

View from outside

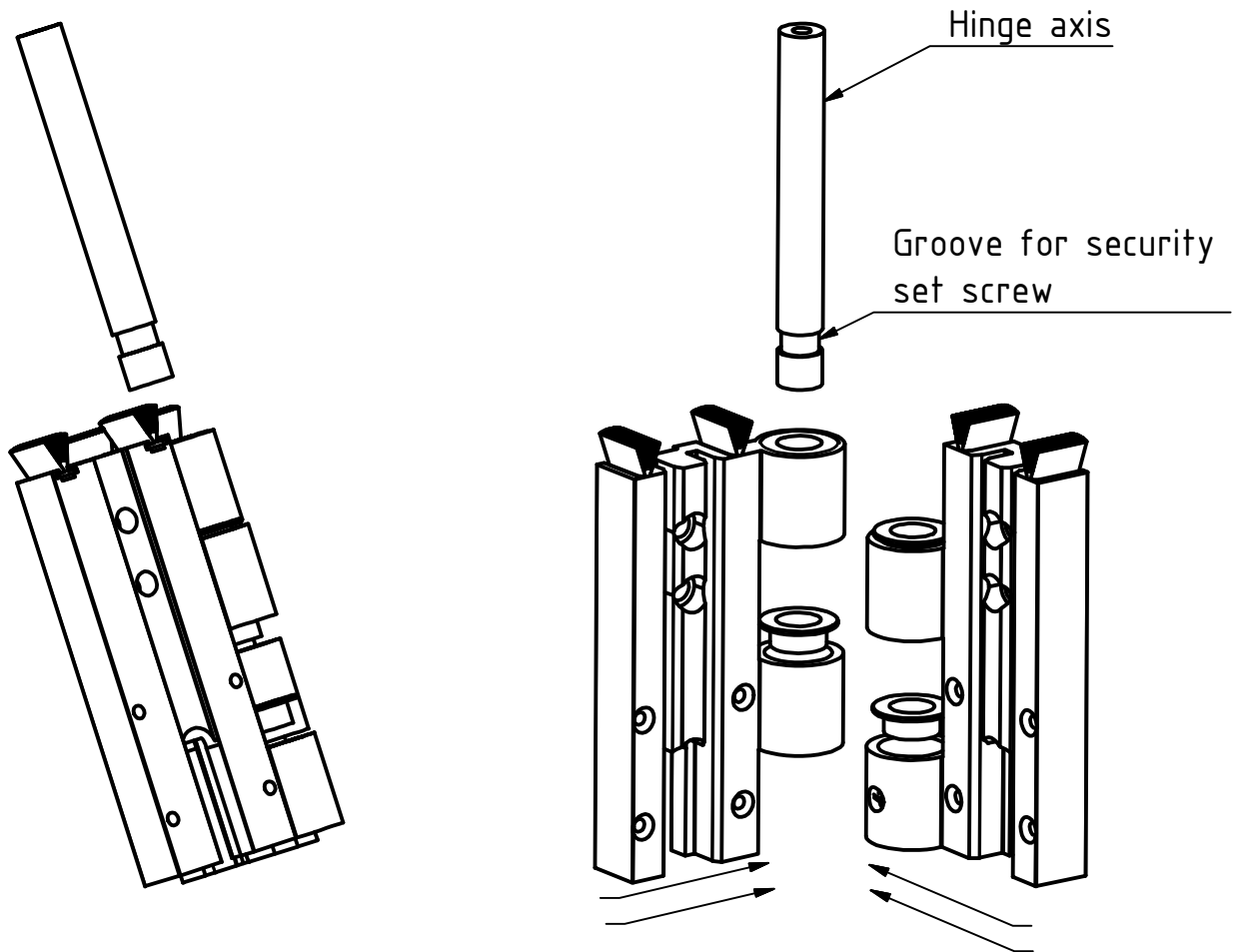
STEP-3: Installation of the second panel-B.
Place the second panel (Panel-B) into the guide profile.



View from outside

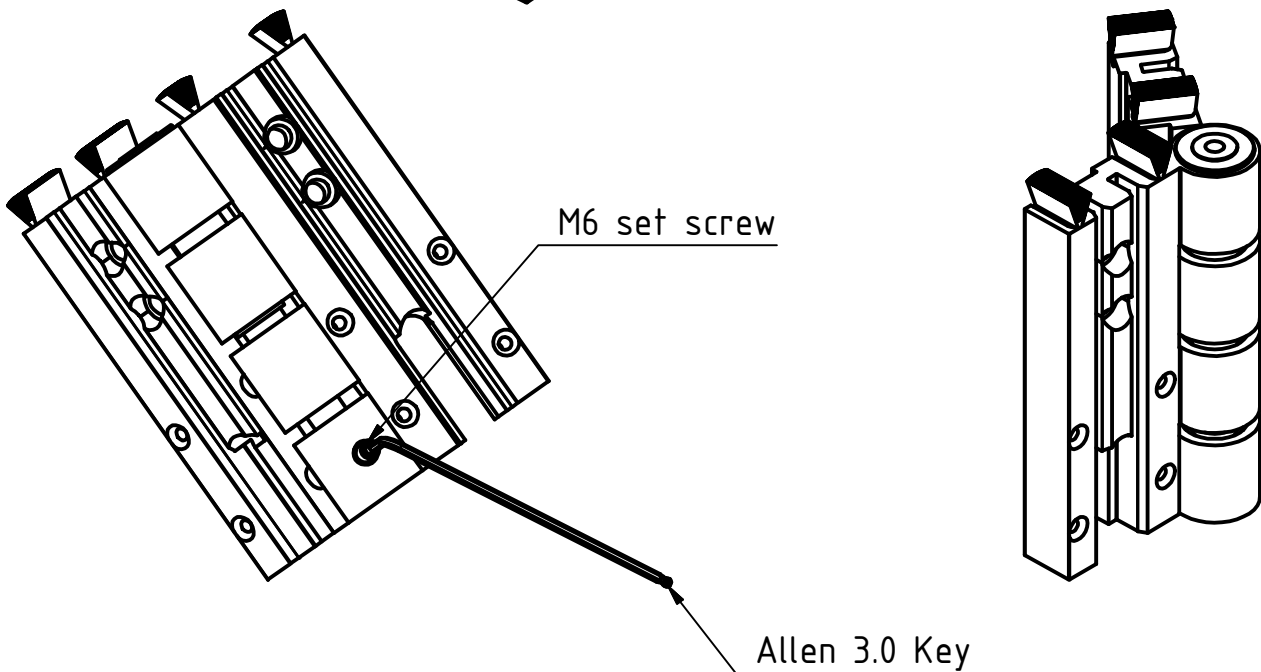
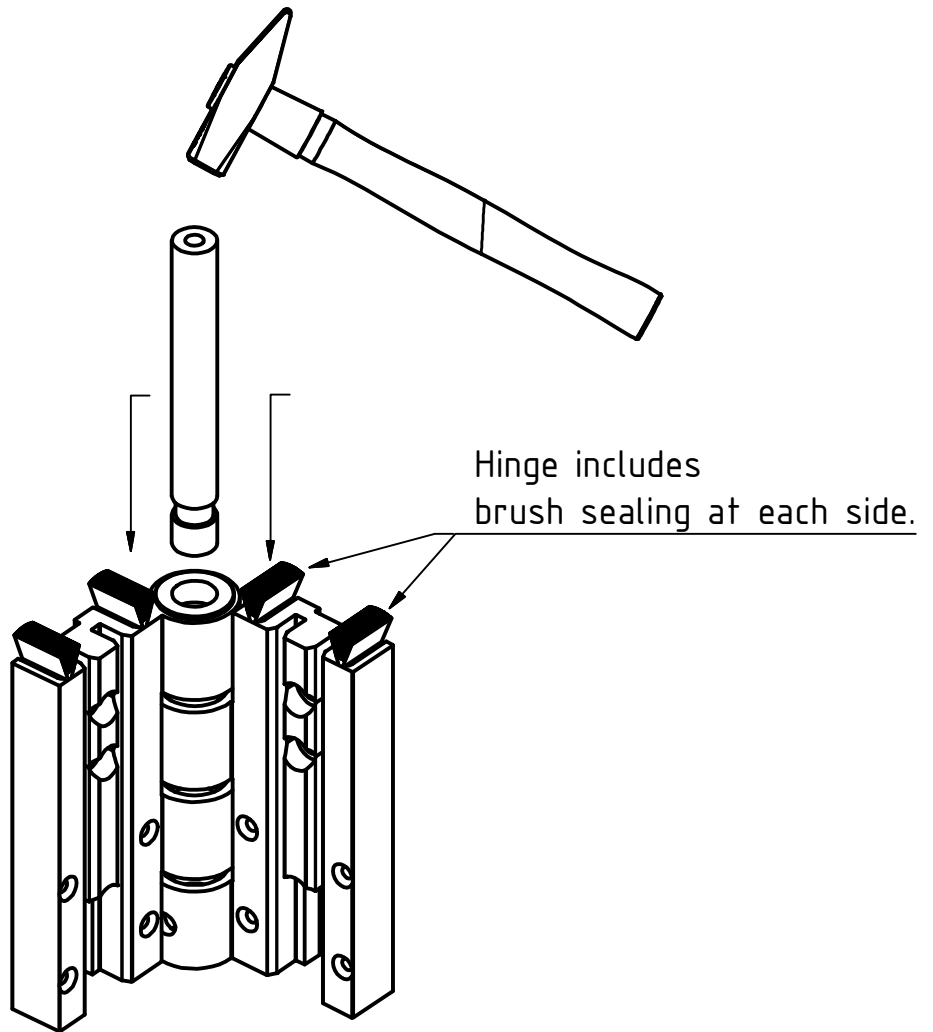
STEP-3B:

The second panel-B must be placed close to the first panel A-PIB. The hinges of the two panels should be assembled by placing one into the other. Then the hinge axis should be installed.



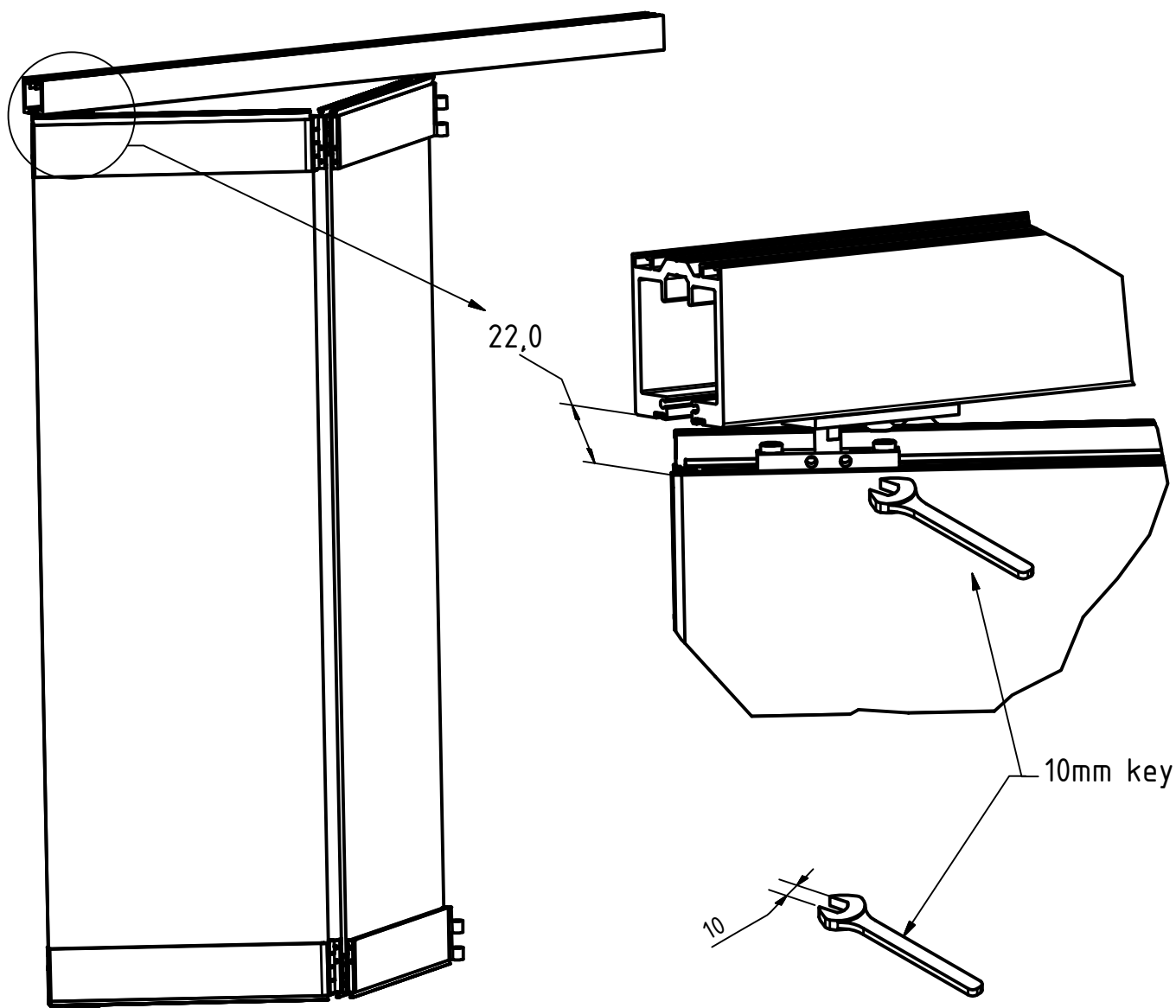
STEP-3C:

The second panel -B must move close to the first panel A-PIB. The hinges of the two panels should be assembled by placing one into the other. Then the hinge axis should be installed.



STEP-3D:

When the two panels come close and the hinges are assembled together install the hinge axis. Then use a allen key to screw the security set screw.

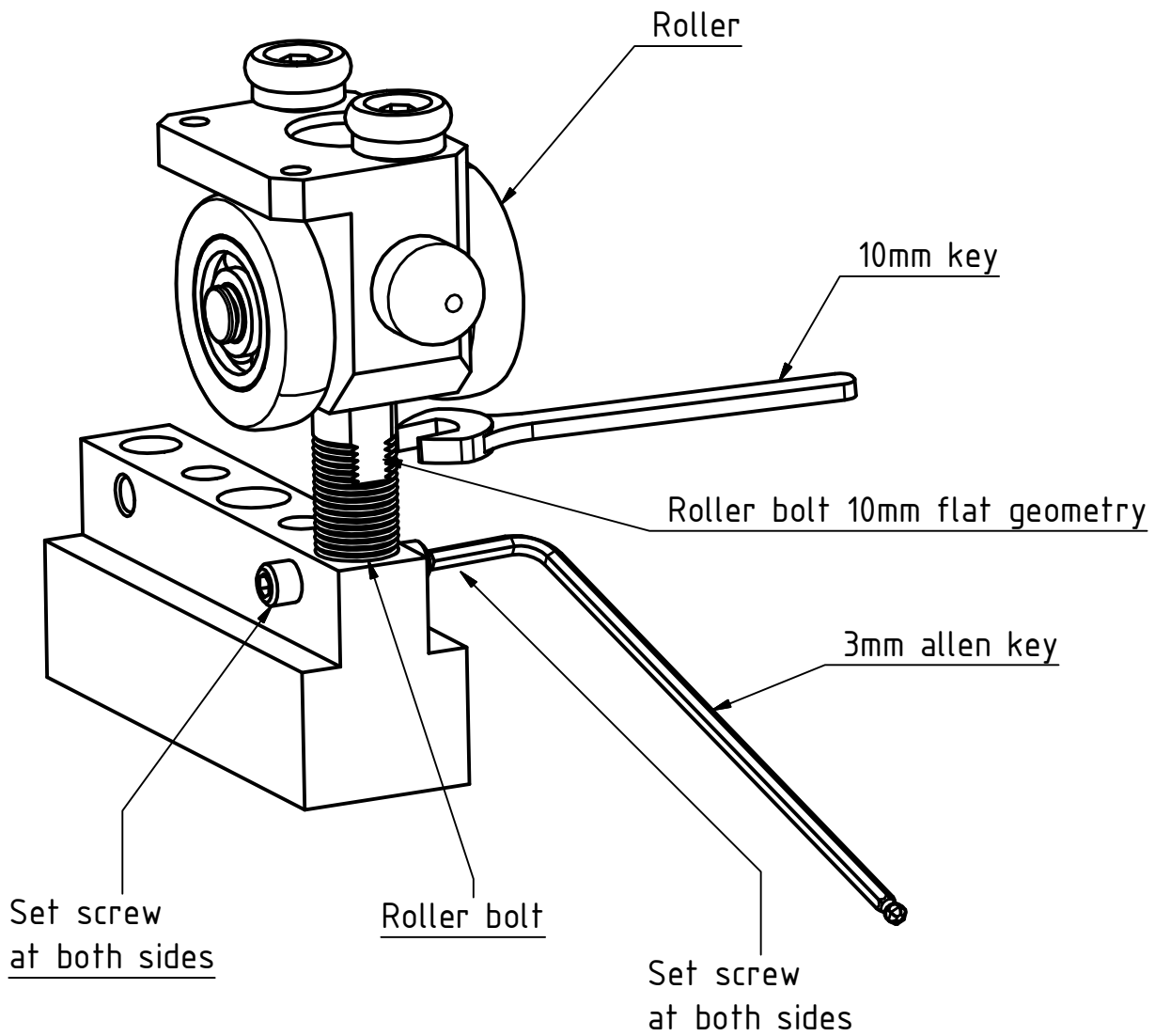


View from outside

In order to achieve a correct assembly of the hinges the two panels must have the same height. Adjust the height from the roller axis. Distance between panel and upper guide is 22mm.

STEP-3E:

Adjust the height of the panel B by using a 10mm key.

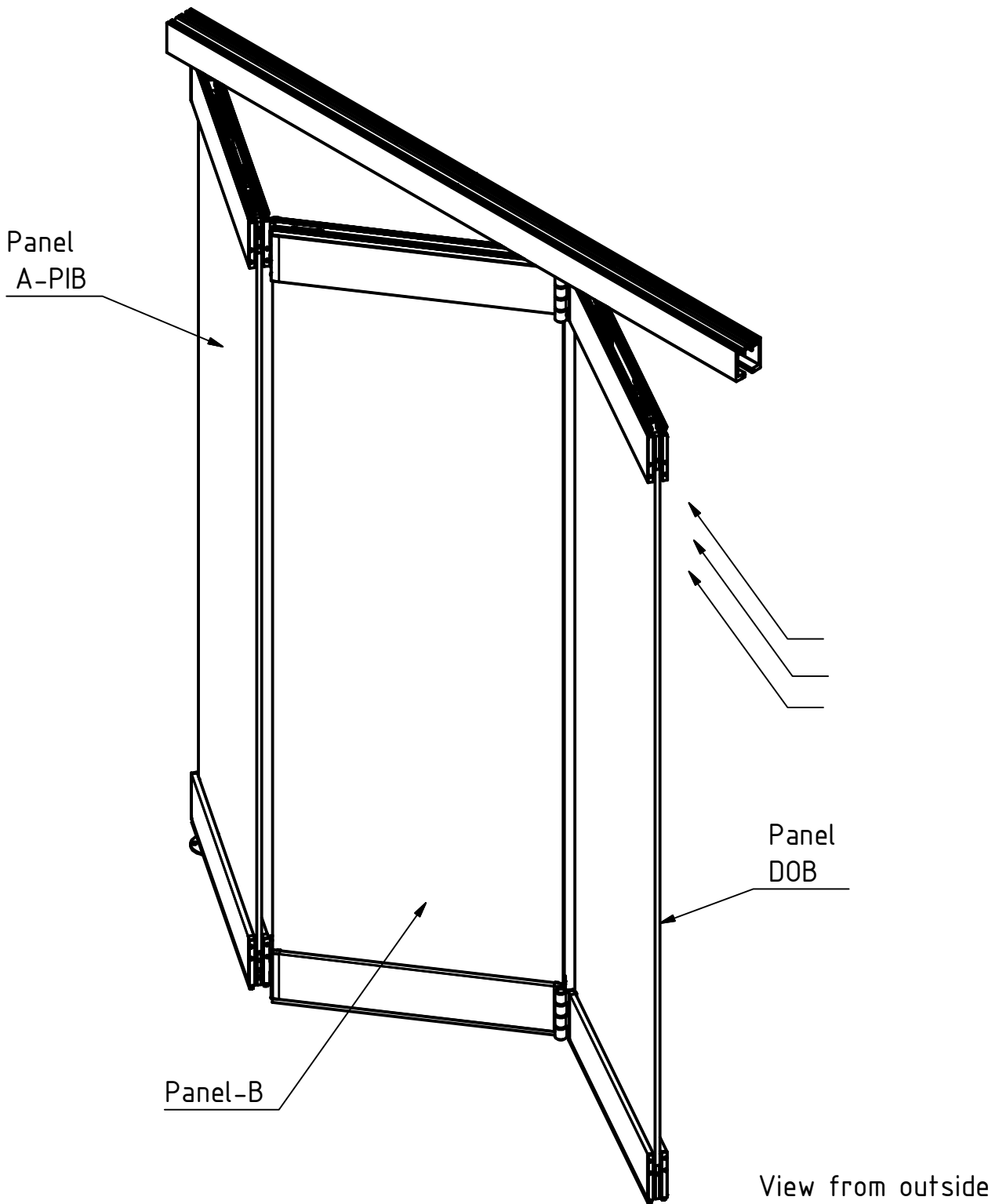


STEP-4E detail:

Adjust the height of the panel B by using a 10mm key.

Place the key at the roller bolt flat geometry and rotate the key clockwise or counterclockwise. The panel will move up or down accordingly.

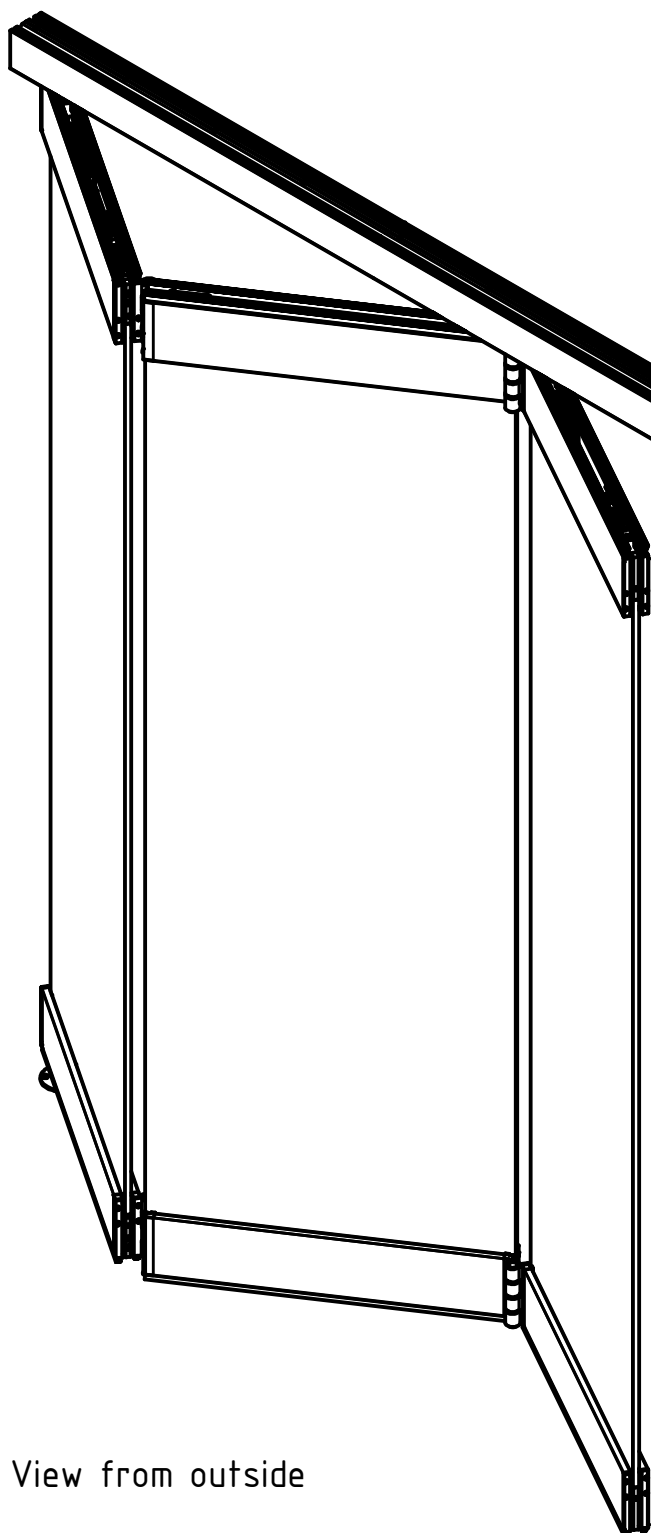
After finishing the height adjustment then screw the two M6 set screws by using a 3mm allen key.



STEP-4: Instalation of thrid panel DOB

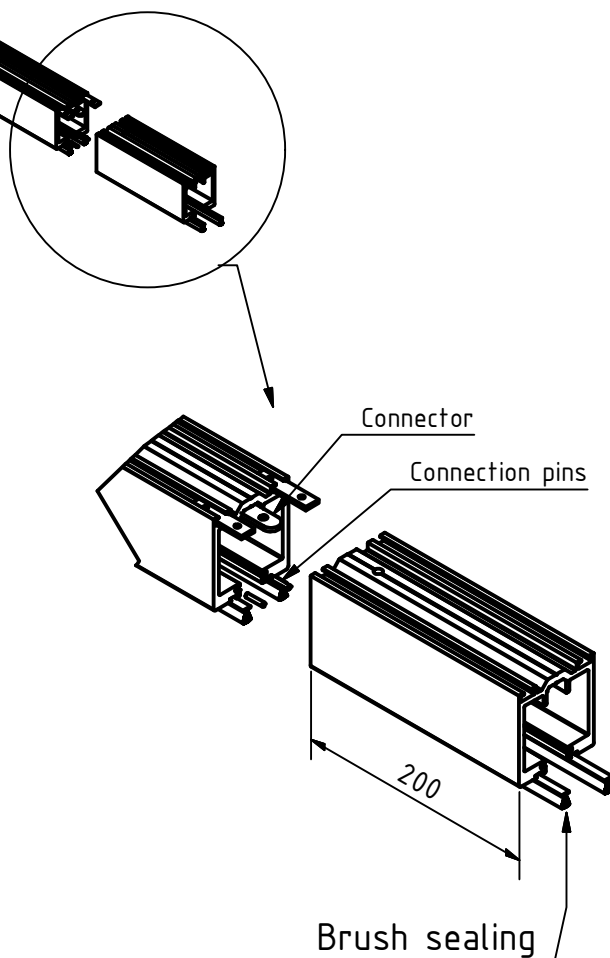
Move the third panel (Panel-DOB) close to the second panel B.

Assembly the hinges of the two panels like STEP-3



View from outside

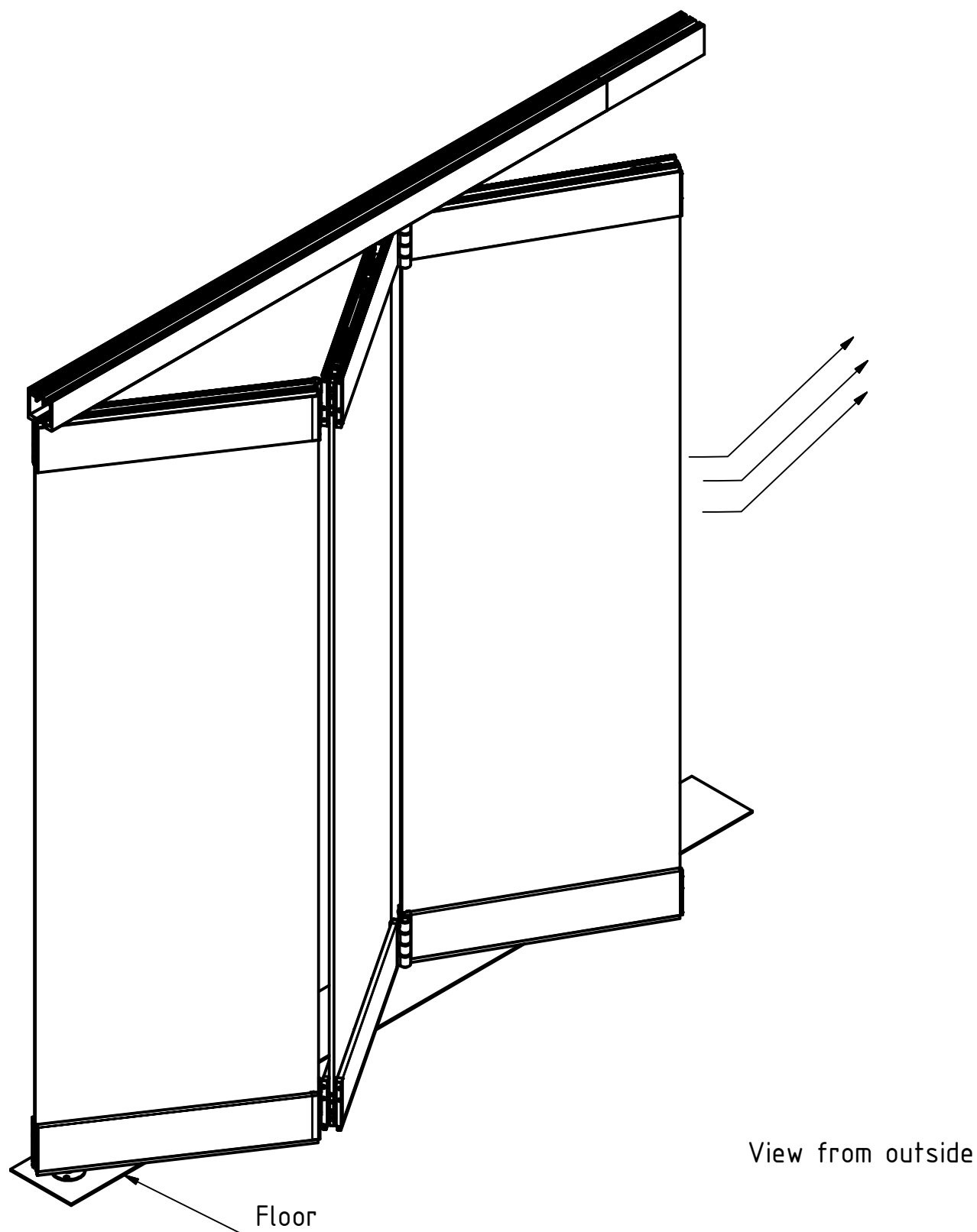
The assembly with the other guide profile is made with the connection pins and the connector.



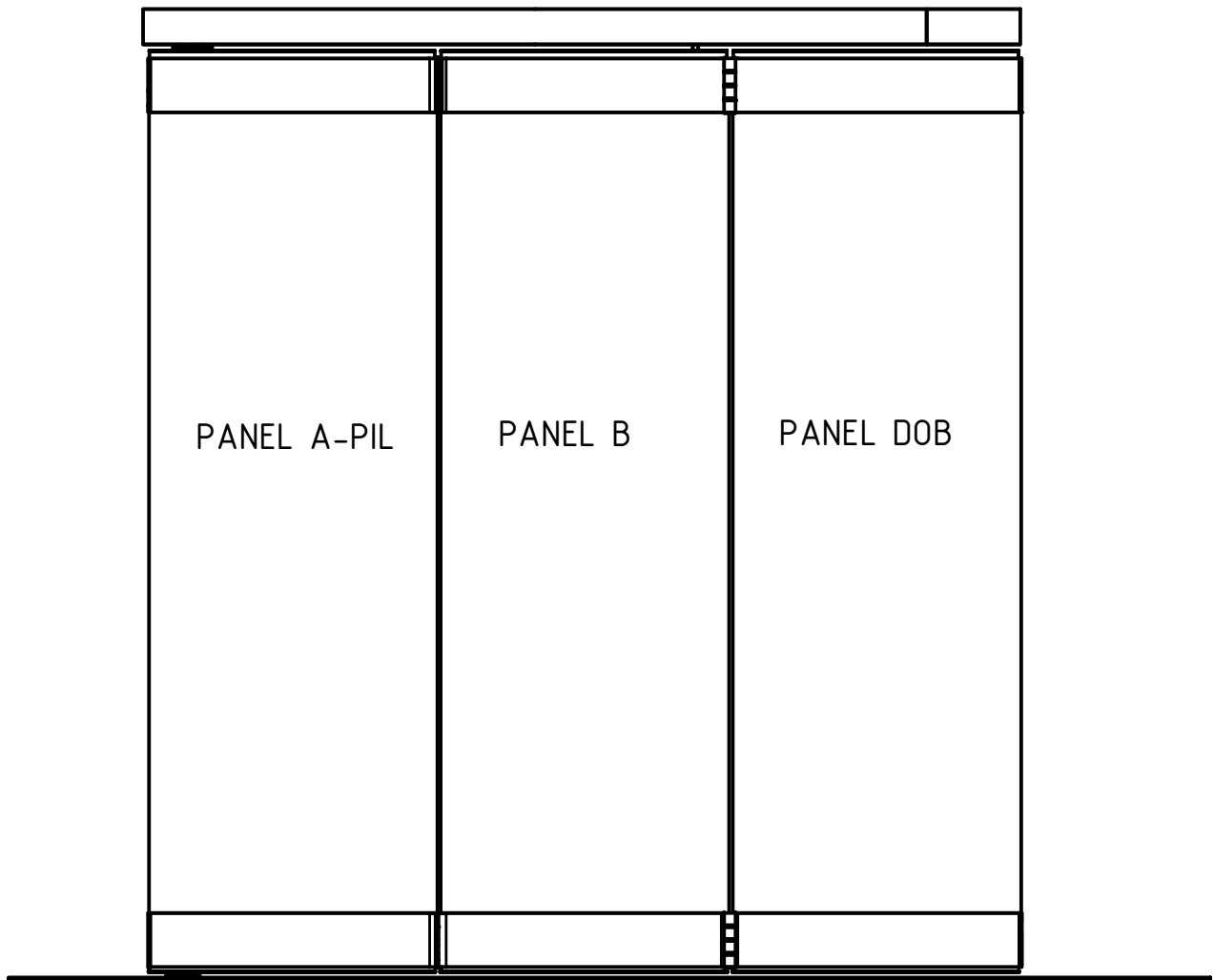
The small guide profile includes the brush sealing profiles.

STEP-5: Brush sealing intallation.

Install the brush sealings at the alum. guide profile. Also install the small remaining piece (200mm) of the alum. upper guide profile to the steel support construction.

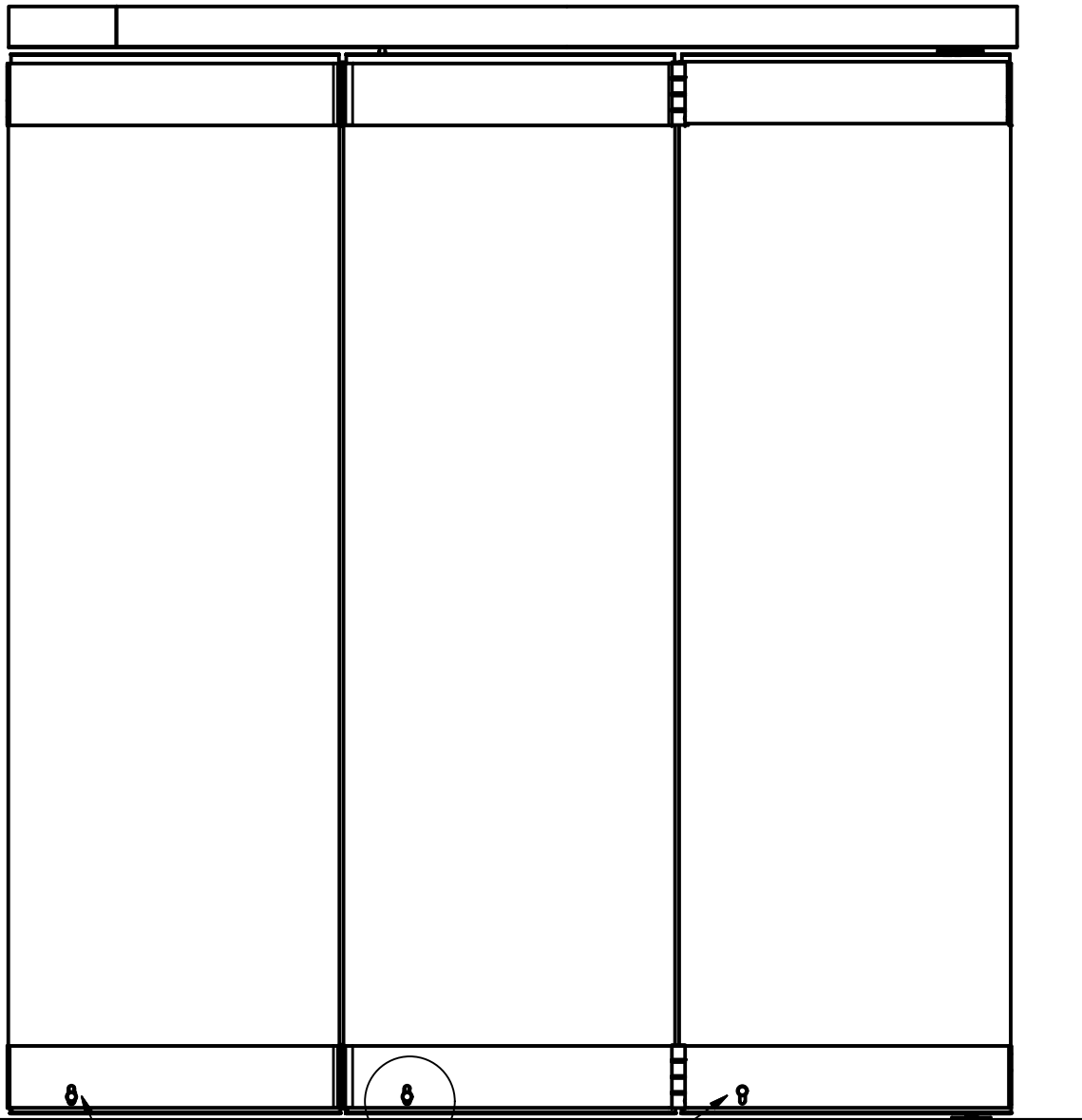


STEP-6: Panels alignment
Aling the panels (close the opening)



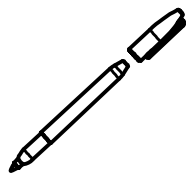
View from outside

STEP-6: Panels alignment
Aling the panels (close the opening)



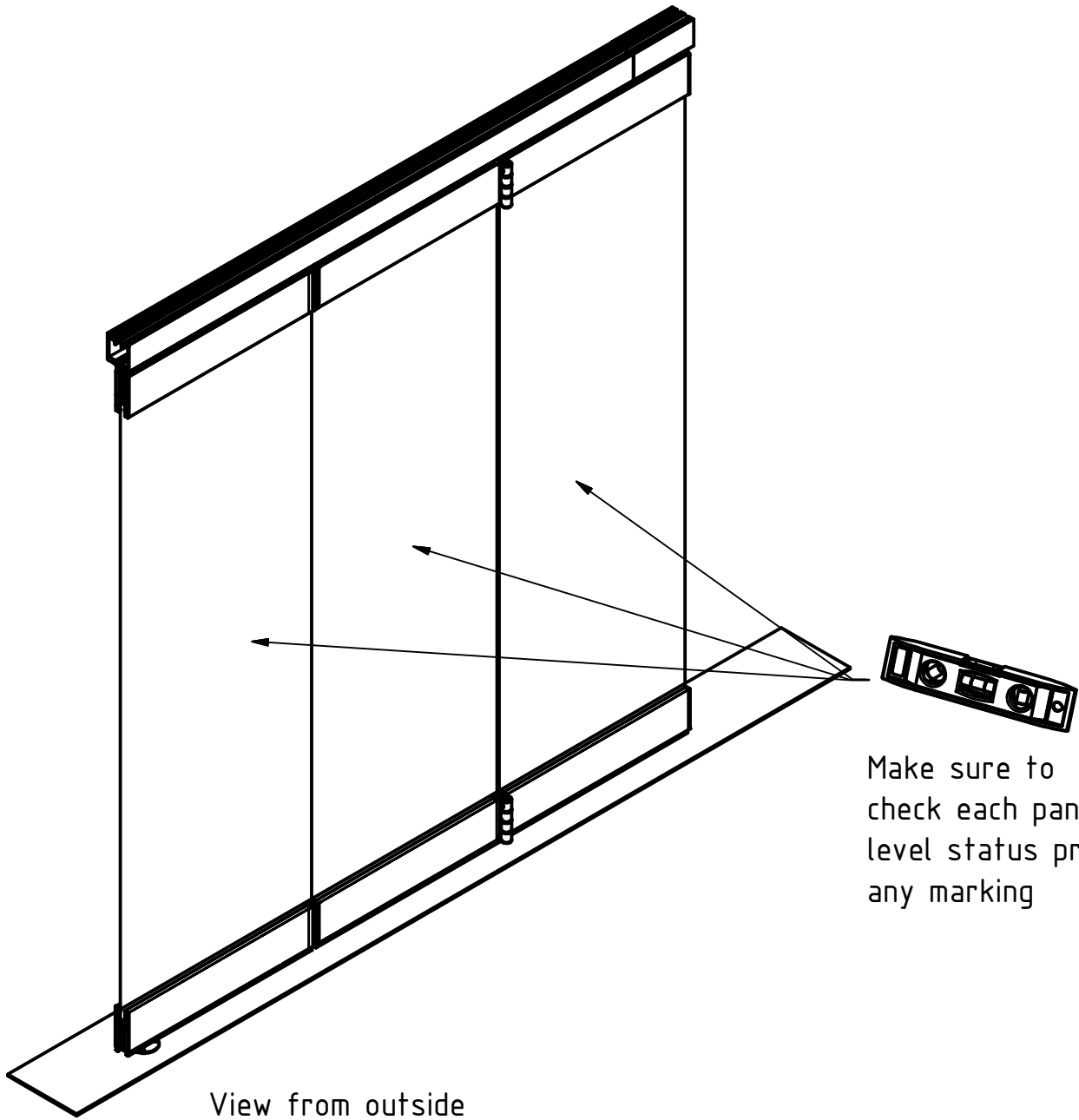
View from inside

BOLT PIN



STEP-7: Lock and bolt pins mark

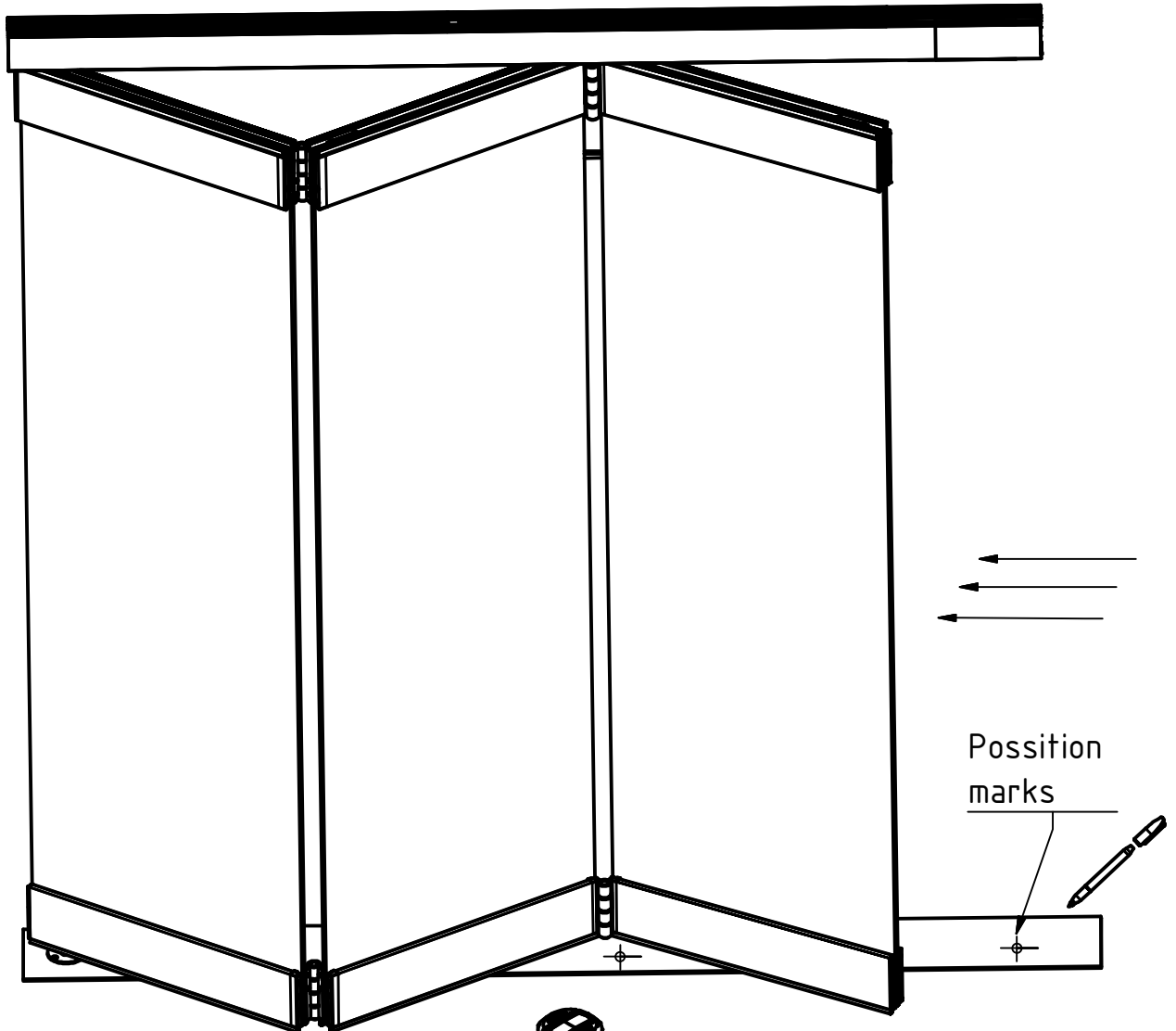
Mark the position of the lock and bolt pins at the floor.



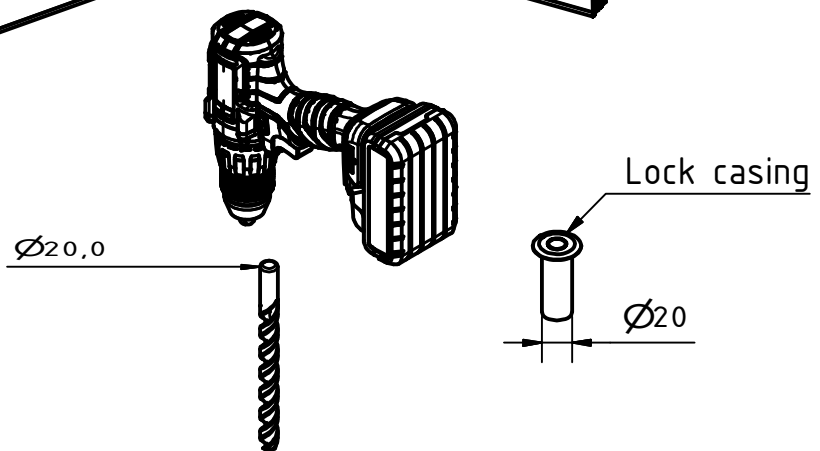
Make sure to check each panel level status prior to any marking

STEP-7B:

Mark the position of the lock pins and the bolt pins of the panels at the floor.



View from outside

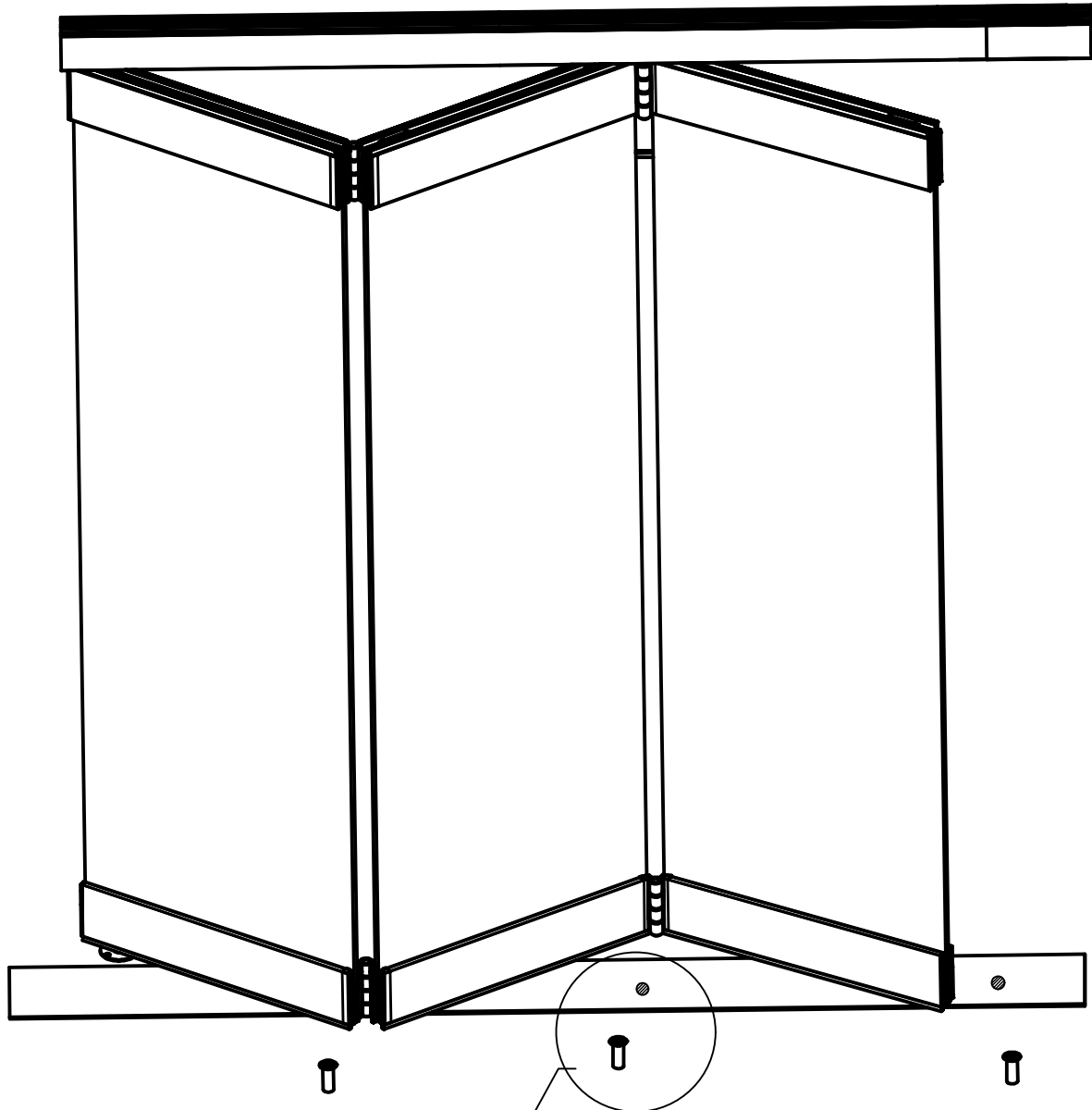


STEP-7C:

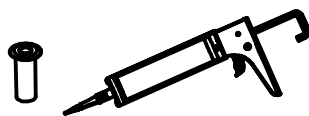
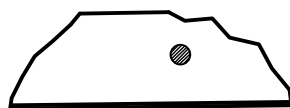
Open the panels.

Then use a $\varnothing 20$ mm drill to drill holes at the floor at the marked positions.

At these holes the lock casings for ALL panels will be placed.



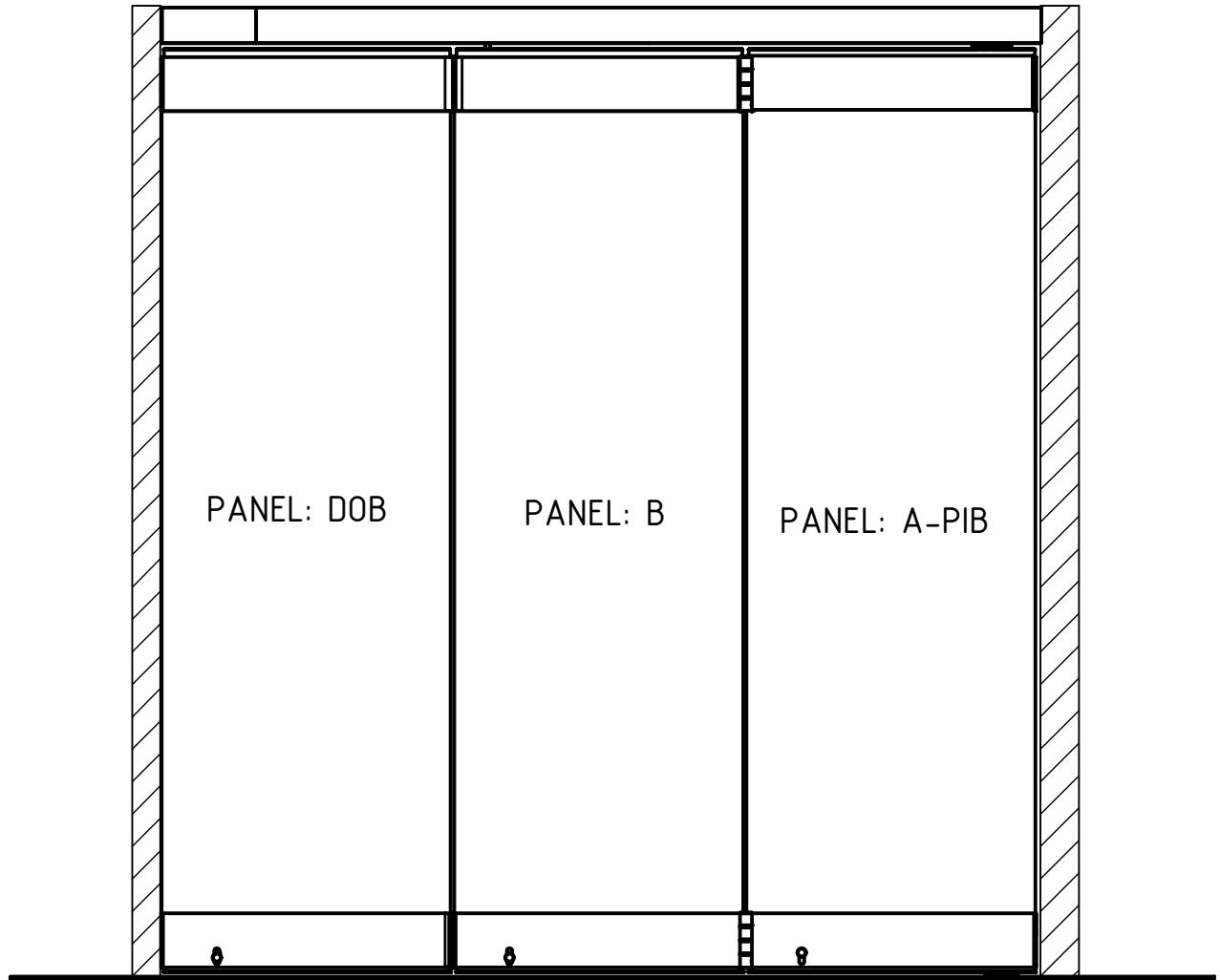
View from outside



Apply silicone during installation

STEP-7D:

Place the lock casings for the panels at the drilled holes of the floor.



View from inside

SYSTEM IS READY


INNOVATIVE GLASS SYSTEMS

www.ialonet.gr | info@ialonet.gr

